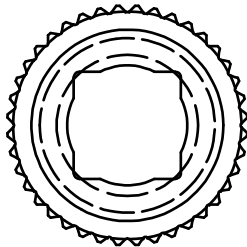
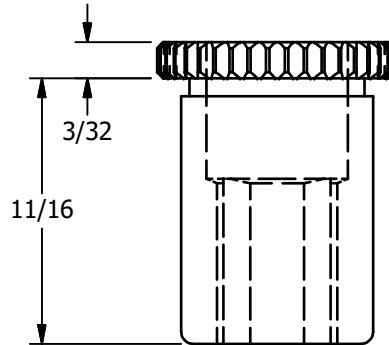
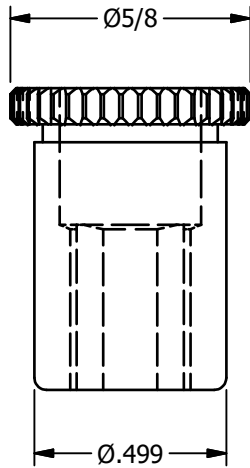
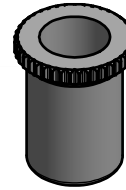
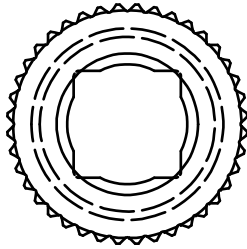


2



1

| Part Number | Tap Shank Diameter | Square |
|-------------|--------------------|----------|
| BY4B-006 | 0.141 in | 0.113 in |
| BY4B-008 | 0.168 in | 0.134 in |
| BY4B-010 | 0.194 in | 0.155 in |
| BY4B-012 | 0.220 in | 0.168 in |
| BY4B-140 | 0.255 in | 0.194 in |
| BY4B-516 | 0.318 in | 0.241 in |
| BY4B-380 | 0.381 in | 0.289 in |
| BY4B-716 | 0.232 in | 0.245 in |
| BY4B-120 | 0.367 in | 0.279 in |
| BY4PB-180S | 0.3125 in | 0.237 in |



NOTES:

- 1) BROACHED HOLE DIMENSIONS VARY DEPENDING UPON SIZE OF TAP.
- 2) MUST SPECIFY COMPLETE PART NUMBER WHEN ORDERING.



AAA PRODUCTS INTERNATIONAL
 7114 Harry Hines Blvd
 Dallas, TX 75235

TITLE: **1/2" DIAMETER BYCO BUSHING**

DRAWING NO.: **DIM_BY4**

2



1