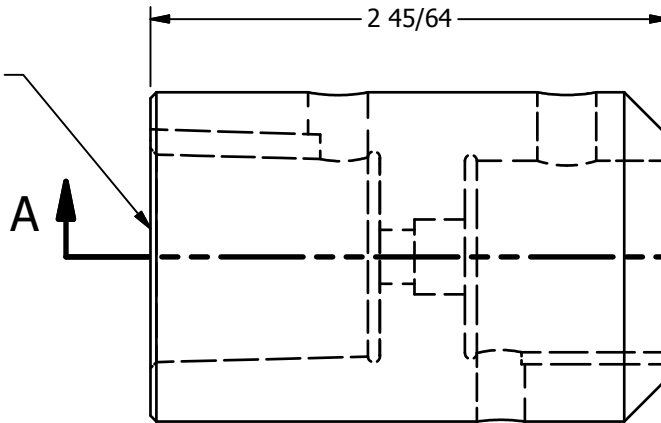


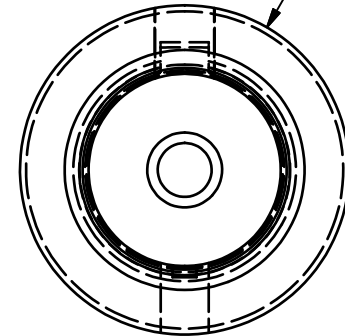
2

1

#4 JACOBS TAPER
WITH 1/4" KEY



Ø1 23/32



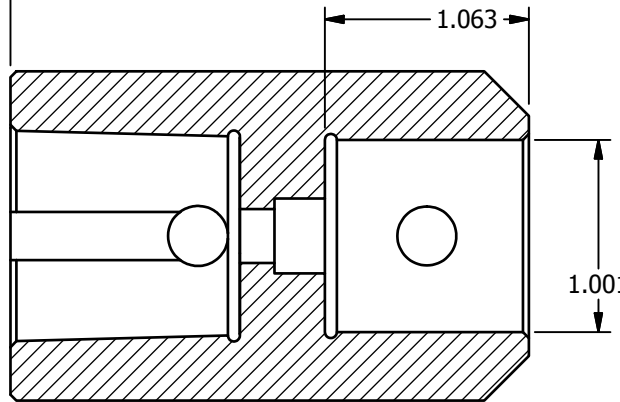
CAVITY FOR
SB & SPB STYLE BUSHINGS

.516

1.063

1.001

THEORETICAL LINE FOR
#4 JACOBS TAPER
Ø1.1240 AT THIS POINT



SECTION A-A SCALE 1 : 1



**AAA PRODUCTS
INTERNATIONAL**
7114 Harry Hines Blvd
Dallas, TX 75235

TITLE:

SMALL CHUCK,
1" DIAMETER BUSHINGS,
JIFFY TAP

DRAWING NO.:

DIM_CHUCK1

2



THE INFORMATION CONTAINED WITHIN THIS DOCUMENT IS PROPRIETARY TO AAA PRODUCTS AND MAY NOT BE DISCLOSED WITHOUT PRIOR WRITTEN CONSENT

1