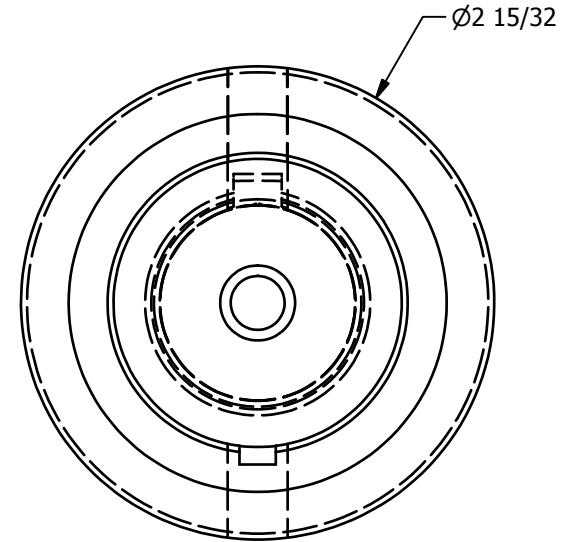
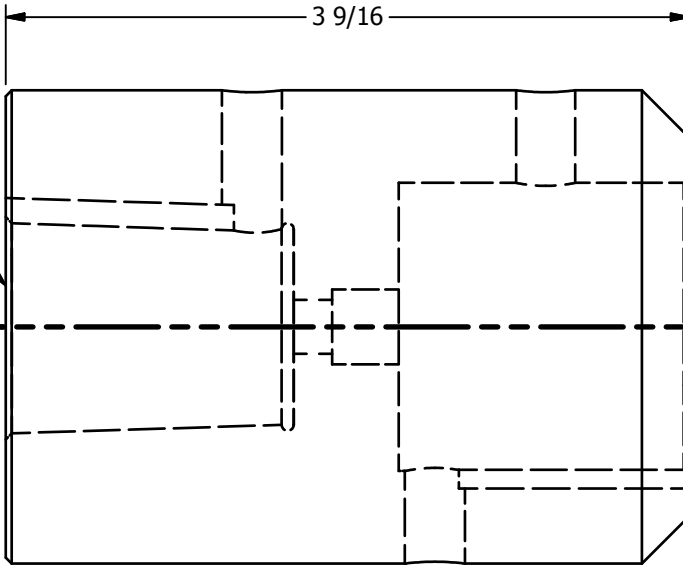


2



1

#4 JACOBS TAPER  
WITH 1/4" KEY



CAVITY FOR  
LB & LPB STYLE BUSHINGS

.224

1.516

1.501

THEORETICAL LINE FOR  
#4 JACOBS TAPER  
Ø1.1240 AT THIS POINT

SECTION A-A  
SCALE 1 : 1



**AAA PRODUCTS  
INTERNATIONAL**  
7114 Harry Hines Blvd  
Dallas, TX 75235

TITLE:

LARGE CHUCK,  
1-1/2" DIAMETER BUSHINGS,  
JIFFY TAP

DRAWING NO.:

DIM\_CHUCK2

2



1

THE INFORMATION CONTAINED WITHIN THIS DOCUMENT IS PROPRIETARY TO AAA PRODUCTS AND MAY NOT BE DISCLOSED WITHOUT PRIOR WRITTEN CONSENT