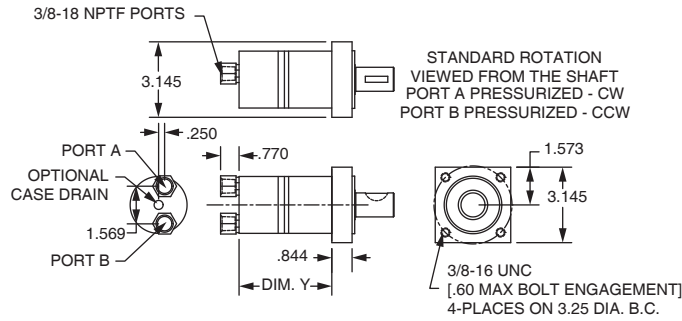


M-Series Hydraulic Motors



Model Number	Displ. in. ³ /rev	Dim. Y
M0	.50	4.09
M1	.79	4.21
M2	1.21	4.38
M3	1.93	4.68

Motor dimensions based on model number.

Recommended Fluids: Premium quality, anti-wear type hydraulic oil. Minimum oil viscosity (at operating temperature) should be greater than 70 SUS.

Recommended Maximum System Operating Temp.: -30°F to 180°F

For best motor life, run motor for approximately one hour at 30% of rated pressure before application to full load. Be sure motor is filled with fluid prior to any load applications.

Motor Options

Option MQM: Basic *M-Series* motor ordered with Quick-Change option. This options does **not** include the spindle sleeve. Order a 0.50 cu. in./rev as B0-MQM.

Option MQD: Basic *M-Series* motor ordered with Quick-Change option and spindle sleeve for use with a *Jiffy-Drill*. This option is available only on original factory order. Order a 0.50 cu. in./rev as B0-MQD.

Option MQT: Basic *M-Series* motor ordered with Quick-Change option and spindle sleeve for use with a *Jiffy-Tap*. This option is available only on original factory order. Order a 0.50 cu. in./rev as B0-MQT.

Motor Repair Kit

RKMM: Includes seals and instructions for replacing worn out or broken seals for all sizes of *M-Series* motors.

Note: Motors are sold with adapter plate and shaft adapter for replacement of any drive style.

The information listed is in the following format: $\frac{[Torque(in-lbs)]}{Rpm}$

M-0 (.50 in.³/rev)

		PSI (lbs./in. ²)								
		200	400	500	600	700	800	1000	1500	2000
Flow GPM (gal./min.)	1	[11] 456	[25] 444	[33] 437	[40] 429	[47] 422	[55] 412	[69] 394	[102] 332	[130] 250
	2	[9] 897	[24] 886	[31] 877	[38] 867	[46] 860	[53] 847	[68] 823	[105] 749	[139] 657
3	[6] 1349	[20] 1331	[28] 1318	[35] 1309	[44] 1296	[51] 1285	[65] 1261	[102] 1176	[137] 1070	
	4.5	0 0	[16] 1902	[23] 1885	[30] 1873	[36] 1858	[44] 1846	[60] 1817	[97] 1721	[131] 1684

M-2 (1.21 in.³/rev)

		PSI (lbs./in. ²)								
		200	400	500	600	700	800	1000	1500	2000
Flow GPM (gal./min.)	1	[32] 189	[67] 187	[85] 186	[102] 185	[119] 183	[136] 182	[170] 179	[253] 169	[321] 141
	2	[30] 379	[65] 375	[83] 373	[101] 370	[119] 368	[136] 366	[172] 361	[257] 347	[328] 312
3	[21] 569	[57] 565	[75] 563	[93] 560	[111] 558	[128] 556	[163] 551	[248] 523	[325] 487	
	4	[12] 761	[47] 758	[65] 754	[83] 751	[101] 749	[119] 746	[154] 741	[239] 707	[316] 660
5.5	0 0	[31] 1043	[49] 1040	[67] 1035	[84] 1033	[101] 1028	[137] 1021	[218] 990	[295] 938	

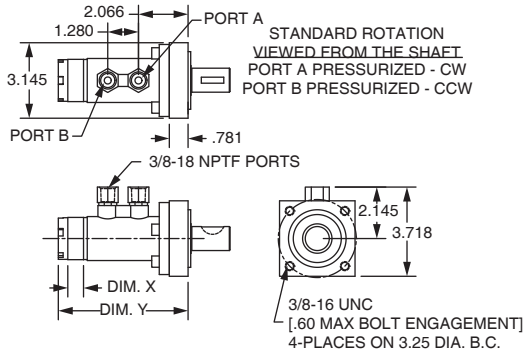
M-1 (.79 in.³/rev)

		PSI (lbs./in. ²)								
		200	400	500	600	700	800	1000	1500	2000
Flow GPM (gal./min.)	1	[19] 290	[43] 285	[54] 281	[65] 277	[76] 273	[88] 268	[109] 260	[164] 230	[214] 194
	2	[16] 573	[39] 566	[51] 561	[63] 555	[74] 549	[86] 544	[109] 534	[165] 490	[221] 442
3	[11] 859	[35] 849	[47] 843	[58] 838	[70] 832	[82] 825	[105] 810	[163] 763	[219] 708	
	4	[6] 1153	[30] 1140	[41] 1135	[53] 1129	[64] 1124	[76] 1117	[99] 1101	[157] 1044	[214] 982
5.5	0 0	[19] 1575	[30] 1566	[42] 1556	[54] 1547	[65] 1539	[89] 1521	[148] 1457	[205] 1396	

M-3 (1.93 in.³/rev)

		PSI (lbs./in. ²)								
		200	400	500	600	700	800	1000	1500	1750
Flow GPM (gal./min.)	1	[51] 118	[106] 116	[133] 115	[160] 113	[187] 112	[213] 111	[265] 107	[383] 81	[439] 70
	2	[46] 236	[103] 234	[132] 232	[159] 230	[187] 228	[214] 225	[269] 221	[387] 175	[446] 165
3	[36] 355	[94] 352	[122] 349	[149] 347	[177] 345	[205] 342	[259] 336	[377] 287	[440] 273	
	4	[24] 474	[79] 472	[107] 469	[135] 466	[162] 462	[190] 460	[246] 452	[362] 393	[425] 373
5.5	0 0	[55] 650	[83] 647	[111] 645	[139] 640	[167] 636	[221] 629	[334] 575	[400] 550	

A-Series Hydraulic Motors



Model Number	Displ. in. ³ /rev	Dim. X	Dim. Y
A1	.82	.25	5-13/32
A2	1.16	.375	5-13/32
A3	1.53	.50	5-13/32
A4	1.88	.625	5-17/32

Table 1: Dimensions based on model number.

Recommended Fluids: Premium quality, anti-wear type hydraulic oil. 100 SUS AT 100°F

Recommended Maximum System Operating Temp.: 130°F

Standard Seals: Motors come with T-84 jacketed teflon seals as a standard. Optional 301 stainless metal seals available.

For best motor life, run motor for approximately one hour at 30% of rated pressure before application to full load. Be sure motor is filled with fluid prior to any load applications.

Motor Options

Option MQM: Basic *A-Series* motor ordered with Quick-Change option. This options does **not** include the spindle sleeve.

Option MQD: Basic *A-Series* motor ordered with Quick-Change option for use with a *Jiffy-Drill*. This option is available only on original factory order.

Option MQT: Basic *A-Series* motor ordered with Quick-Change option for use with a *Jiffy-Tap*. This option is available only on original factory order.

Motor Repair Kit

RKMA: Includes seals and instructions for replacing worn out or broken seals for all sizes of *A-Series* motors.

Note: Motors are sold with adapter plate and shaft adapter for replacement of any drive style.

The information listed is in the following format: $\frac{[Torque(in-lbs)]}{Rpm}$

A-1 (.82 in.³/rev)

		PSI (lbs./in. ²)							
		200	400	600	800	1000	1200	1400	1500
Flow GPM (gal./min.)	1	[17] 298	[37] 265	[58] 233	[78] 200	[98] 168	[119] 135	[139] 103	[149] 86
	2	[14] 580	[34] 547	[54] 515	[75] 482	[95] 450	[116] 417	[136] 385	[146] 368
3	[11] 862	[31] 829	[51] 797	[72] 764	[92] 732	[113] 699	[133] 667	[143] 650	
	4	[8] 1144	[28] 1111	[48] 1079	[69] 1046	[89] 1014	[110] 981	[130] 948	[140] 932
6	[22] 1675	[42] 1642	[63] 1610	[83] 1577	[104] 1545	[124] 1512	[134] 1496		
	8	[16] 2239	[36] 2206	[57] 2174	[77] 2141	[97] 2109	[118] 2076	[128] 2060	

A-3 (1.53 in.³/rev)

		PSI (lbs./in. ²)							
		200	400	600	800	1000	1200	1400	1500
Flow GPM (gal./min.)	1	[37] 153	[75] 146	[113] 140	[151] 133	[189] 126	[227] 118	[265] 111	[284] 107
	2	[34] 302	[71] 296	[109] 289	[147] 282	[185] 275	[224] 267	[262] 260	[281] 256
3	[29] 453	[67] 446	[105] 439	[143] 432	[181] 425	[220] 418	[258] 410	[277] 406	
	4	[24] 605	[62] 598	[100] 591	[138] 584	[177] 577	[215] 569	[253] 562	[272] 558
6	[12] 902	[50] 900	[88] 895	[127] 890	[165] 884	[203] 877	[242] 869	[261] 865	
	8	[35] 1205	[74] 1203	[112] 1200	[150] 1196	[188] 1189	[227] 1182	[246] 1178	

A-2 (1.16 in.³/rev)

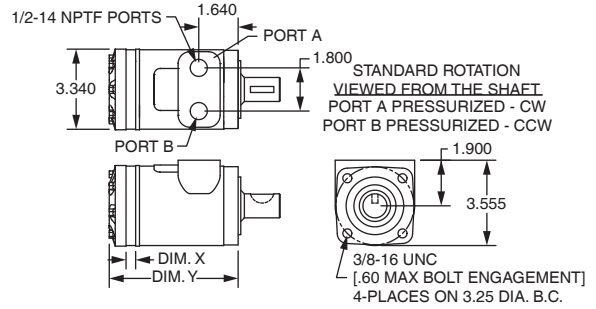
		PSI (lbs./in. ²)							
		200	400	600	800	1000	1200	1400	1500
Flow GPM (gal./min.)	1	[29] 201	[59] 183	[88] 164	[118] 146	[148] 127	[178] 109	[207] 90	[222] 81
	2	[24] 401	[53] 383	[83] 364	[113] 346	[143] 327	[172] 309	[202] 290	[217] 281
3	[18] 601	[48] 583	[78] 564	[108] 546	[137] 527	[167] 509	[197] 490	[212] 481	
	4	[13] 801	[43] 783	[73] 764	[102] 746	[132] 727	[162] 709	[192] 690	[206] 681
6	[32] 1183	[62] 1164	[92] 1146	[122] 1127	[151] 1109	[181] 1091	[196] 1081		
	8	[22] 1583	[52] 1564	[81] 1546	[111] 1528	[141] 1509	[170] 1491	[185] 1481	

A-4 (1.88 in.³/rev)

		PSI (lbs./in. ²)							
		200	400	600	800	1000	1200	1400	1500
Flow GPM (gal./min.)	1	[50] 117	[98] 110	[146] 100	[195] 88	[243] 73	[291] 54	[339] 34	[363] 22
	2	[46] 233	[95] 227	[143] 217	[191] 204	[239] 188	[287] 170	[335] 149	[360] 137
3	[42] 352	[90] 345	[138] 335	[187] 322	[235] 306	[283] 288	[332] 266	[356] 254	
	4	[36] 474	[84] 467	[133] 456	[181] 443	[230] 427	[278] 408	[327] 386	[351] 374
6	[22] 724	[70] 717	[119] 706	[168] 692	[216] 675	[265] 655	[314] 632	[338] 620	
	8	[52] 978	[101] 967	[150] 952	[199] 935	[248] 914	[297] 890	[321] 877	

B-Series Hydraulic Motors

The B-Series hydraulic motors are economical, efficient, small, compact, and powerful, designed for medium duty applications. These motors have the industry proven spool valve design combined with state-of-the-art gerotors. In addition, direction of shaft rotation and shaft speed can be controlled easily and smoothly throughout the speed range of the motor.



Model Number	Displ. in. ³ /rev	Dim. X	Dim. Y
B0	2.2	0.25	5.22
B1	2.8	0.25	5.22
B1.5	3.6	0.40	5.37
B2	4.5	0.40	5.37
B3	5.9	0.52	5.49
B3.3	7.3	0.65	5.62
B3.6	8.9	0.79	5.76

Model Number	Displ. in. ³ /rev	Dim. X	Dim. Y
B4	9.7	0.86	5.84
B5	11.3	1.00	5.97
B6	14.1	1.25	6.22
B7	17.9	1.59	6.56
B8	22.6	2.00	6.97

Table 1: Motor dimensions based on model number.

Recommended Fluids: Premium quality, anti-wear type hydraulic oil. Minimum oil viscosity (at operating temperature) should be the highest of the following: 100 SUS or $\frac{20 \times PSI}{RPM} = SUS$

Recommended Maximum System Operating Temp.: -30°F to 180°F

For best motor life, run motor for approximately one hour at 30% of rated pressure before application to full load. Be sure motor is filled with fluid prior to any load applications.

Motor Options

Option MQM: Basic *B-Series* motor ordered with Quick-Change option. This options does **not** include the spindle sleeve.

Option MQD: Basic *B-Series* motor ordered with Quick-Change option for use with a *Jiffy-Drill*. This option is available only on original factory order.

Option MQT: Basic *B-Series* motor ordered with Quick-Change option for use with a *Jiffy-Tap*. This option is available only on original factory order.

Motor Repair Kit

RKMB: Includes seals and instructions for replacing worn out or broken seals for all sizes of *B-Series* motors.

Note: B-Motors are a direct replacement for any drive style.

B-Series (continued)

The information listed is in the following format: $[Torque(in - lbs)]$
Rpm

B-0 (2.2 in.³/rev)

		PSI (lbs./in. ²)									
		200	400	600	700	1000	1200	1400	1600	1800	
Flow GPM (gal./min.)	2	[49] 204	[103] 201	[162] 198	[189] 194	[270] 189	[325] 184	[379] 177	[432] 170	[489] 162	
	4	[47] 408	[106] 407	[160] 402	[191] 399	[274] 394	[327] 387	[384] 381	[439] 373	[495] 365	
	6	[44] 613	[102] 612	[158] 609	[188] 604	[272] 599	[328] 591	[383] 586	[440] 576	[496] 565	
	8	[40] 817	[97] 817	[153] 814	[184] 807	[270] 799	[326] 793	[383] 785	[440] 776	[497] 762	
	10	[36] 1021	[90] 1021	[148] 1015	[180] 1008	[265] 1001	[322] 991	[380] 981	[438] 969	[495] 959	

B-1 (2.8 in.³/rev)

		PSI (lbs./in. ²)									
		200	400	600	800	1000	1200	1400	1600	1800	
Flow GPM (gal./min.)	2	[64] 161	[136] 158	[212] 156	[284] 153	[355] 148	[426] 145	[497] 139	[567] 133	[641] 127	
	4	[61] 323	[139] 320	[209] 316	[286] 314	[359] 310	[429] 304	[503] 300	[576] 293	[649] 287	
	6	[58] 486	[134] 481	[207] 479	[282] 475	[356] 471	[430] 464	[502] 461	[577] 453	[650] 444	
	8	[52] 648	[128] 643	[200] 640	[276] 635	[354] 628	[428] 623	[502] 617	[577] 610	[651] 599	
	10	[47] 808	[118] 803	[194] 798	[269] 793	[347] 787	[423] 779	[498] 771	[575] 761	[649] 753	
12	[36] 969	[109] 964	[188] 960	[260] 952	[340] 946	[417] 938	[492] 931	[567] 922	[643] 914		

B-1.5 (3.6 in.³/rev)

		PSI (lbs./in. ²)									
		200	400	600	800	1000	1200	1400	1600	1800	
Flow GPM (gal./min.)	2	[79] 127	[169] 125	[260] 123	[305] 121	[437] 117	[526] 114	[616] 109	[704] 103	[796] 96	
	4	[76] 254	[168] 254	[257] 251	[307] 249	[441] 246	[529] 241	[620] 236	[710] 230	[800] 224	
	6	[73] 381	[161] 381	[252] 380	[303] 377	[439] 373	[529] 368	[618] 364	[709] 358	[802] 349	
	8	[64] 508	[151] 508	[243] 508	[294] 504	[428] 500	[519] 496	[609] 491	[701] 484	[794] 476	
	10	[57] 635	[141] 635	[234] 634	[283] 630	[419] 626	[512] 621	[602] 614	[693] 608	[786] 601	
	12	[45] 762	[131] 762	[227] 762	[274] 757	[409] 753	[505] 747	[593] 741	[684] 734	[778] 728	
14	[33] 889	[118] 889	[213] 887	[266] 882	[396] 877	[492] 872	[583] 866	[676] 860	[770] 851		
15	[29] 953	[111] 953	[205] 951	[260] 945	[389] 940	[486] 935	[576] 929	[670] 921	[765] 913		

B-2 (4.5 in.³/rev)

		PSI (lbs./in. ²)									
		200	400	600	800	1000	1200	1400	1600	1800	
Flow GPM (gal./min.)	2	[103] 101	[220] 99	[339] 98	[454] 96	[569] 93	[685] 90	[801] 86	[916] 81	[1036] 76	
	4	[99] 203	[219] 201	[335] 199	[457] 197	[574] 194	[689] 191	[808] 187	[925] 182	[1042] 177	
	6	[94] 305	[210] 303	[328] 301	[451] 298	[571] 296	[689] 292	[805] 288	[924] 283	[1044] 276	
	8	[86] 406	[196] 404	[319] 402	[438] 399	[558] 396	[676] 393	[793] 388	[913] 383	[1033] 377	
	10	[74] 507	[183] 505	[310] 502	[422] 499	[545] 496	[667] 492	[784] 486	[903] 482	[1024] 476	
	12	[58] 608	[171] 606	[295] 603	[408] 600	[533] 596	[657] 591	[773] 587	[891] 581	[1013] 576	
14	[43] 709	[154] 706	[277] 702	[396] 698	[515] 694	[640] 691	[760] 686	[880] 681	[1002] 674		
15	[36] 760	[145] 757	[268] 753	[387] 749	[506] 744	[632] 740	[750] 735	[873] 729	[996] 723		

B-3 (5.9 in.³/rev)

		PSI (lbs./in. ²)									
		200	400	600	800	1000	1200	1400	1600	1800	
Flow GPM (gal./min.)	2	[134] 78	[292] 76	[442] 75	[593] 73	[746] 71	[899] 68	[1054] 65	[1209] 61	[1365] 55	
	4	[131] 156	[281] 155	[436] 153	[596] 151	[750] 149	[903] 147	[1059] 143	[1212] 139	[1367] 134	
	6	[126] 234	[269] 233	[425] 231	[588] 230	[747] 228	[900] 224	[1054] 221	[1206] 217	[1368] 210	
	8	[110] 312	[246] 311	[408] 310	[566] 308	[718] 305	[873] 303	[1023] 300	[1177] 295	[1339] 291	
	10	[96] 390	[231] 389	[392] 387	[539] 385	[699] 383	[859] 380	[1005] 376	[1156] 373	[1318] 368	
	12	[77] 468	[218] 467	[378] 465	[522] 463	[681] 460	[844] 457	[990] 453	[1142] 449	[1301] 445	
14	[60] 546	[197] 544	[358] 542	[513] 539	[662] 537	[828] 535	[973] 531	[1131] 526	[1293] 521		
15	[52] 585	[189] 583	[346] 581	[495] 578	[651] 575	[819] 573	[963] 569	[1126] 564	[1286] 559		

B-3.3(7.3 in.³/rev)

		PSI (lbs./in. ²)									
		200	400	600	800	1000	1200	1400	1600	1800	
Flow GPM (gal./min.)	2	[162] 62	[357] 61	[544] 61	[736] 59	[927] 58	[1116] 55	[1305] 53	[1498] 49	[1687] 45	
	4	[160] 125	[348] 124	[539] 123	[736] 121	[930] 120	[1119] 119	[1316] 116	[1506] 114	[1698] 110	
	6	[155] 188	[338] 187	[530] 186	[729] 185	[923] 183	[1116] 180	[1310] 178	[1500] 175	[1699] 170	
	8	[139] 250	[319] 250	[515] 249	[710] 247	[901] 245	[1094] 243	[1283] 241	[1476] 237	[1673] 233	
	10	[121] 313	[303] 312	[497] 311	[686] 309	[883] 308	[1081] 306	[1267] 302	[1460] 300	[1655] 296	
	12	[102] 375	[288] 374	[480] 373	[664] 371	[862] 370	[1060] 367	[1246] 365	[1440] 361	[1640] 358	
14	[78] 438	[263] 437	[458] 435	[652] 433	[841] 431	[1041] 430	[1228] 427	[1420] 423	[1616] 419		
15	[67] 469	[253] 468	[446] 466	[632] 464	[828] 462	[1030] 460	[1214] 458	[1411] 454	[1608] 450		

B-Series (continued)

B-3.6 (8.9 in.³/rev)

		PSI (lbs./in. ²)								
		200	400	600	800	1000	1200	1400	1600	1700
Flow GPM (gal./min.)	2	[198] 51	[435] 50	[664] 50	[897] 49	[1130] 47	[1361] 45	[1591] 43	[1827] 40	[1942] 39
	4	[196] 103	[424] 102	[657] 101	[898] 99	[1133] 99	[1365] 97	[1604] 95	[1836] 93	[1954] 92
	6	[189] 154	[412] 153	[646] 152	[889] 151	[1125] 150	[1361] 148	[1598] 146	[1829] 143	[1951] 141
	8	[169] 205	[389] 205	[628] 204	[866] 203	[1098] 201	[1333] 200	[1564] 197	[1799] 195	[1919] 193
	10	[148] 257	[369] 256	[605] 255	[836] 253	[1076] 252	[1318] 251	[1544] 248	[1780] 246	[1899] 244
	12	[125] 308	[351] 307	[586] 306	[810] 305	[1051] 303	[1293] 301	[1519] 299	[1756] 296	[1878] 295
	14	[95] 359	[321] 358	[558] 357	[795] 355	[1026] 354	[1290] 352	[1497] 350	[1731] 347	[1851] 346
	15	[82] 385	[308] 384	[544] 383	[771] 381	[1010] 379	[1256] 378	[1480] 375	[1720] 373	[1840] 371

B-4 (9.7 in.³/rev)

		PSI (lbs./in. ²)								
		200	400	600	800	1000	1200	1400	1600	1650
Flow GPM (gal./min.)	2	[209] 47	[465] 46	[715] 46	[937] 45	[1228] 44	[1478] 42	[1724] 40	[1981] 38	[2046] 37
	4	[210] 94	[460] 94	[710] 93	[971] 91	[1229] 91	[1480] 90	[1745] 89	[1996] 87	[2059] 87
	6	[205] 141	[454] 141	[704] 140	[965] 139	[1216] 138	[1477] 136	[1738] 134	[1991] 132	[2055] 132
	8	[186] 188	[440] 188	[683] 187	[951] 186	[1205] 185	[1461] 183	[1716] 181	[1973] 179	[2038] 178
	10	[164] 235	[422] 234	[671] 234	[930] 232	[1189] 232	[1451] 230	[1702] 228	[1965] 226	[2032] 225
	12	[144] 282	[404] 281	[652] 281	[900] 279	[1163] 279	[1421] 277	[1674] 275	[1937] 273	[2004] 272
	14	[109] 330	[374] 329	[623] 328	[883] 327	[1140] 325	[1396] 323	[1653] 322	[1900] 319	[1963] 319
	15	[92] 353	[359] 352	[612] 351	[861] 350	[1123] 348	[1381] 347	[1633] 345	[1886] 343	[1950] 342

B-5 (11.3 in.³/rev)

		PSI (lbs./in. ²)							
		200	400	600	800	1000	1200	1400	1600
Flow GPM (gal./min.)	2	[257] 40	[554] 40	[847] 39	[1150] 38	[1447] 37	[1739] 36	[2035] 33	[2320] 29
	4	[254] 81	[546] 81	[845] 80	[1145] 79	[1448] 78	[1744] 77	[2049] 76	[2343] 74
	6	[246] 121	[540] 121	[834] 120	[1137] 120	[1434] 119	[1736] 117	[2036] 115	[2337] 112
	8	[224] 162	[520] 162	[820] 161	[1117] 160	[1414] 159	[1716] 157	[2014] 155	[2315] 152
	10	[202] 202	[499] 202	[793] 201	[1095] 201	[1394] 200	[1699] 198	[1997] 196	[2299] 193
	12	[176] 243	[475] 242	[767] 242	[1063] 241	[1368] 240	[1664] 238	[1969] 236	[2268] 234
	14	[140] 283	[443] 283	[735] 282	[1035] 281	[1340] 280	[1637] 279	[1936] 277	[2227] 274
	15	[120] 304	[425] 303	[719] 302	[1014] 301	[1320] 300	[1618] 299	[1914] 297	[2205] 294

B-6 (14.1 in.³/rev)

		PSI (lbs./in. ²)							
		200	400	600	800	1000	1200	1400	1450
Flow GPM (gal./min.)	2	[338] 32	[707] 32	[1074] 31	[1456] 30	[1827] 30	[2192] 28	[2572] 26	[2657] 25
	4	[328] 65	[695] 65	[1076] 64	[1447] 63	[1827] 62	[2201] 62	[2577] 60	[2699] 60
	6	[317] 97	[687] 97	[1057] 97	[1434] 96	[1811] 95	[2186] 94	[2555] 92	[2650] 91
	8	[289] 130	[659] 130	[1038] 130	[1406] 129	[1777] 128	[2160] 127	[2531] 124	[2625] 124
	10	[265] 162	[631] 162	[1004] 162	[1381] 162	[1751] 160	[2131] 158	[2510] 156	[2602] 156
	12	[230] 195	[599] 195	[968] 194	[1345] 194	[1722] 193	[2088] 192	[2480] 189	[2571] 189
	14	[191] 227	[563] 227	[927] 227	[1299] 226	[1686] 226	[2058] 224	[2428] 222	[2519] 221
	15	[167] 243	[538] 243	[904] 243	[1279] 242	[1661] 242	[2030] 240	[2404] 238	[2493] 238

B-7 (17.9 in.³/rev)

		PSI (lbs./in. ²)						
		200	400	600	800	1000	1200	1350
Flow GPM (gal./min.)	2	[427] 26	[893] 25	[1361] 25	[1829] 24	[2293] 22	[2672] 16	[2977] 13
	4	[419] 51	[886] 51	[1362] 51	[1833] 50	[2305] 49	[2771] 47	[3110] 44
	6	[402] 77	[872] 77	[1342] 76	[1819] 76	[2291] 74	[2757] 71	[3098] 68
	8	[367] 102	[838] 102	[1316] 102	[1785] 101	[2252] 100	[2723] 98	[3070] 95
	10	[332] 128	[803] 128	[1276] 128	[1749] 127	[2215] 126	[2684] 123	[3034] 120
	12	[289] 153	[760] 153	[1230] 153	[1706] 153	[2177] 151	[2634] 149	[2989] 146
	14	[241] 179	[712] 179	[1176] 179	[1650] 179	[2126] 177	[2592] 175	[2935] 172
	15	[211] 192	[683] 192	[1149] 192	[1623] 191	[2096] 190	[2558] 188	[2905] 185

B-8 (22.6 in.³/rev)

		PSI (lbs./in. ²)						
		200	400	600	800	1000	1200	1250
Flow GPM (gal./min.)	2	[537] 20	[1121] 20	[1715] 20	[2285] 19	[2862] 16		
	4	[532] 40	[1123] 40	[1715] 40	[2308] 39	[2893] 38	[3467] 36	[3604] 35
	6	[508] 61	[1100] 61	[1693] 61	[2294] 60	[2884] 58	[3458] 55	[3598] 53
	8	[463] 81	[1060] 81	[1661] 81	[2255] 80	[2840] 79	[3414] 76	[3557] 74
	10	[414] 101	[1017] 101	[1613] 101	[2203] 101	[2788] 99	[3363] 96	[3506] 94
	12	[363] 121	[960] 121	[1553] 121	[2152] 121	[2737] 119	[3305] 116	[3446] 115
	14	[303] 142	[897] 142	[1484] 142	[2086] 142	[2667] 140	[3246] 137	[3386] 136
	15	[266] 152	[862] 152	[1452] 152	[2050] 152	[2630] 150	[3206] 148	[3347] 147