

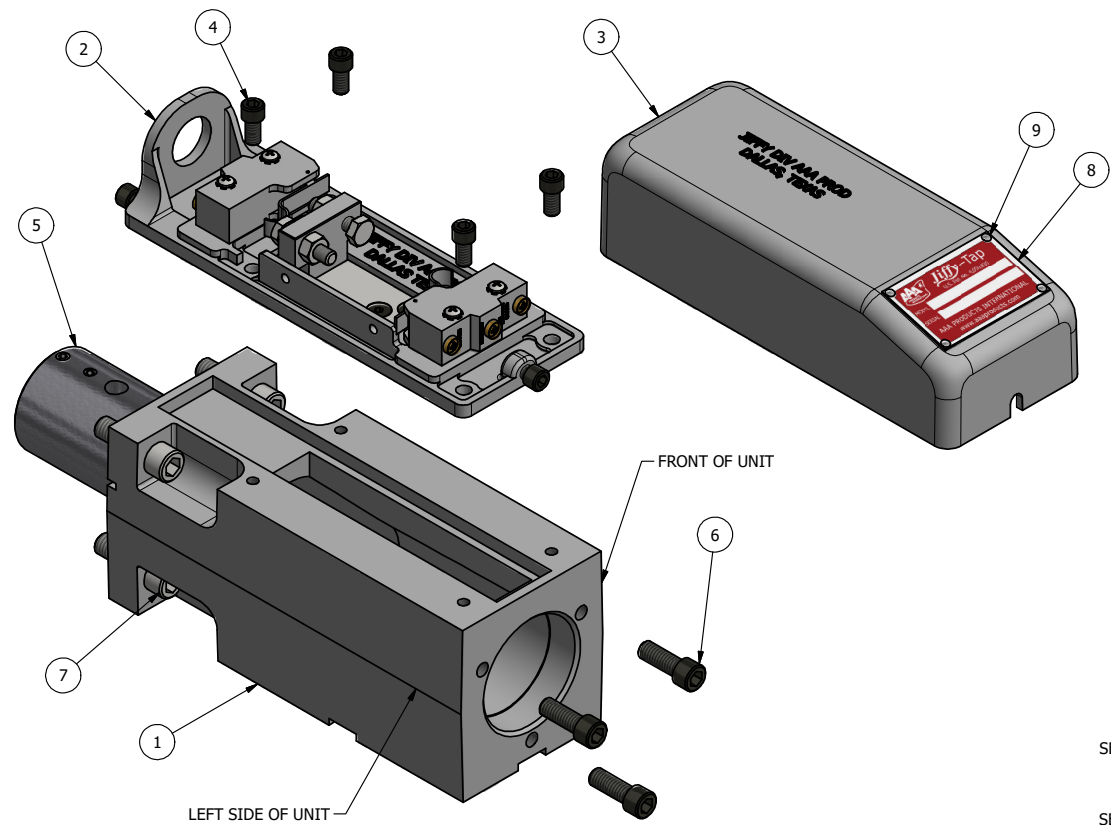
4

3

2

1

NOTES:  
1) SEE ASSEMBLIES FOR INDIVIDUAL PARTS.



SEE NOTE 1 →

SEE NOTE 1 →

FLG	QTY	PART NO	DESCRIPTION
	9	4	V-212 SCREW, 2 X 3/16, DRIVE, TYPE U, OVAL HEAD, 316 SS
	8	1	J-303 NAMEPLATE, MAIN UNIT
	7	4	J-283 SCREW, 3/8-16 X 1-1/4, SOCKET HEAD CAP
	6	3	J-284 SCREW, 5/16-18 X 7/8, SOCKET HEAD CAP
SEE NOTE 1 →	5	1	AY-5311 ASSY - SPINDLE SLEEVE, W/ SET SCREWS, JIFFY TAP
	4	4	J-292 SCREW, 1/4-20 X 1/2, SOCKET HEAD CAP
	3	1	J-5301 COVER - MICRO SWITCH PLATE, JIFFY TAP
SEE NOTE 1 →	2	1	AY-5302 SWITCH PLATE ASSEMBLY, STANDARD STROKE, JIFFY TAP
	1	1	J-5300 MACHINE - BODY, JIFFY TAP

LIMITS ON DIMENSIONS  
UNLESS OTHERWISE SPECIFIED

2-PL DECIMAL ± .01  
3-PL DECIMAL ± .005  
FRACTIONAL ± 1/64  
ANGULAR ± 1/2°



DRAWN: RMcKenna DATE: 6/24/2015 CHECKED: KWaitte DATE: 6/24/2015  
SCALE: 1/2 SHEET: 1 OF 1 RELEASED: HWomack DATE: 6/24/2015

TITLE: JIFFY TAP MAIN SECTION, COMBINE WITH DRIVE & SPINDLE  
DRAWING NO.: 3T  
REV.:  
DO NOT USE TO ORDER, ORDER BY PART NUMBERS LISTED IN TABLE

4

3

2

1

D:\Engineering\Inventor Files\Internal Drawings\Jiffy Tap Assy Web Only\31.tbl