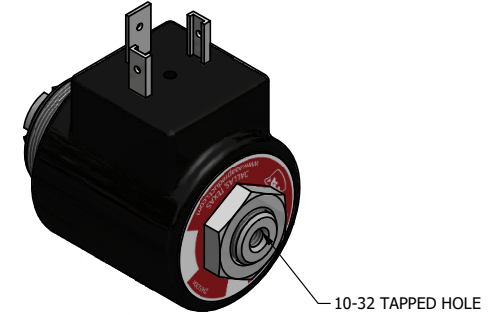
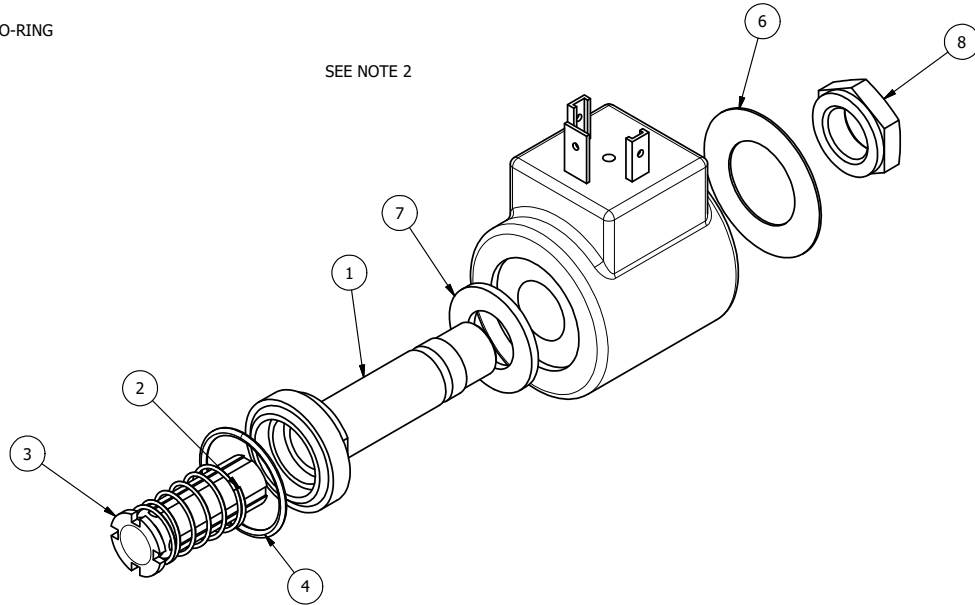


SOLENOID REPAIR KIT: RKPSV-1
CONTAINS -
1 V-187 PLUNGER
1 V-50 SPRING
1 V-61 ADAPTOR O-RING

SEE NOTE 2




NOTES:

- 1) WHEN ORDERING, SPECIFY VOLTAGE AND CYCLES OF COIL.
- 2) THE FOLLOWING PART NUMBER IS AFFECTED BY COIL VOLTAGE:

COIL VOLTAGE	COIL NUMBER	RESISTANCE	AAA PART
12 VDC	V-67ED-5	12.8 OHMS	AY-38ED-5
24 VDC	V-67ED-8	61 OHMS	AY-38ED-8
120/60 VAC	V-67ED-11	135 OHMS	AY-38ED-11
240/60 VAC	V-67ED-17	546 OHMS	AY-38ED-17

FLG	QTY	PART NO	DESCRIPTION
8	1	V-537	NUT - DIN COIL.. SOLENOID SOLUTIONS PART # 120-010-001-08
7	1	V-531	WASHER - MOLDOVER COILS, 302/304 STAINLESS, ALL VALVES
6	1	V-576	NAMEPLATE FOR SNAP-TITE DIN & MOLDOVER COILS CALLING OUT NEMA 4 & NEMA 4X.
5	1	V-67ED-11	COIL DIN 120 VAC 38.5 VDC SNAP TITE # 114-070-003-06.
4	1	V-61	O-RING, BUNA-N, 70 DURO, AS-019, (REF 13/16 X 15/16 X 1/16), CLASSIC STEM
3	1	V-187	SOLENOID STANDARD PLUNGER WITH BUNA-N SEAT (# 156-014-001-00)
2	1	V-50	SPRING - SOLENOID, "CLASSIC" SOLENOIDS
1	1	V-62	SOLENOID SLEEVE, 10-32 UNF VENT

LIMITS ON DIMENSIONS UNLESS OTHERWISE SPECIFIED		2-PL DECIMAL ± .01 3-PL DECIMAL ± .005 FRACTIONAL ± 1/64 ANGULAR ± 1/2°		 AAA PRODUCTS INTERNATIONAL 7114 Harry Hines Blvd Dallas, TX 75235
DRAWN: RMckenna	DATE: 1/18/2013	CHECKED: KWaite	DATE: 9/22/2013	
SCALE: 1 : 1	SHEET: 1 OF 1	RELEASED: HWomack	DATE: 9/22/2013	
TITLE: CLASSIC SOLENOID - ISO 4400 DIN, (SPECIFY VOLTAGE)			PART NO.: AY-38ED	REV.:

THE INFORMATION CONTAINED WITHIN THIS DOCUMENT IS PROPRIETARY TO AAA PRODUCTS AND MAY NOT BE DISCLOSED WITHOUT PRIOR WRITTEN CONSENT

D:\Engineering\Inventory Files\Internal Drawings\Valves\Solenoid Assy\AY-38ED.dwg