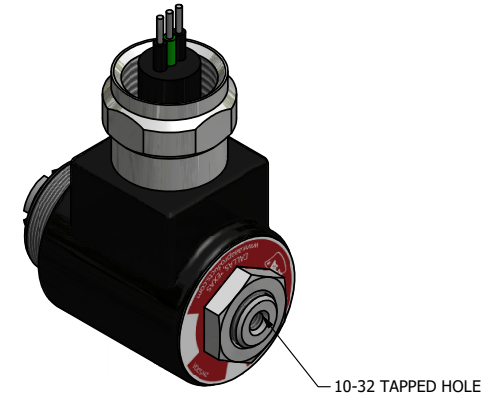
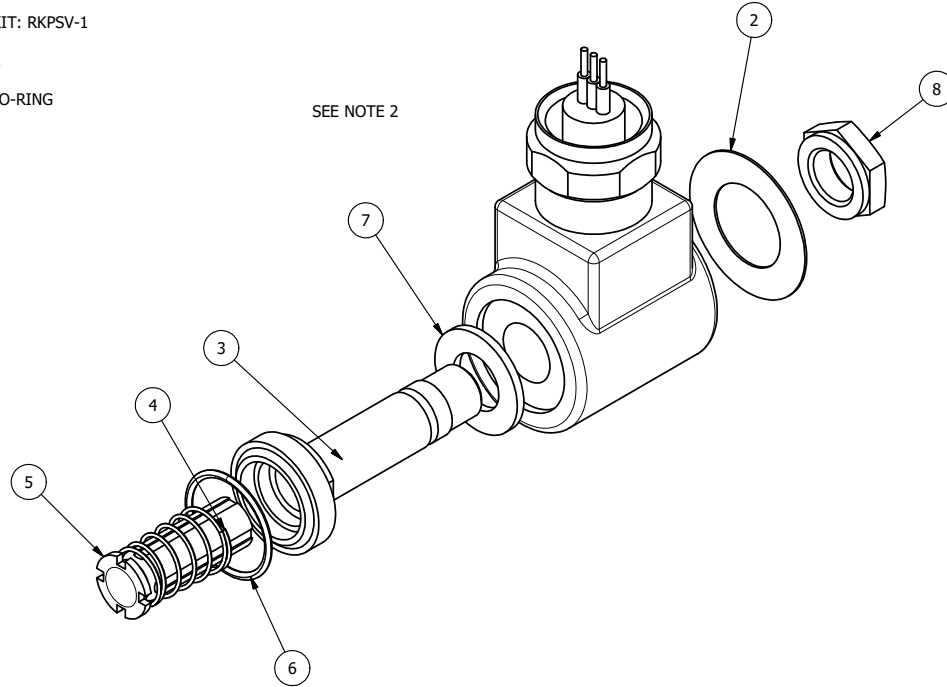


SOLENOID REPAIR KIT: RKPSV-1  
CONTAINS -  
1 V-187 PLUNGER  
1 V-50 SPRING  
1 V-61 ADAPTOR O-RING

SEE NOTE 2




NOTES:

- 1) WHEN ORDERING, SPECIFY VOLTAGE AND CYCLES OF COIL.
- 2) THE FOLLOWING PART NUMBER IS AFFECTED BY COIL VOLTAGE:

| COIL VOLTAGE | COIL NUMBER | RESISTANCE | AAA PART  |
|--------------|-------------|------------|-----------|
| 12 VDC       | V-67M-5     | 12.8 OHMS  | AY-38M-5  |
| 24 VDC       | V-67M-8     | 61 OHMS    | AY-38M-8  |
| 120/60 VAC   | V-67M-11    | 135 OHMS   | AY-38M-11 |
| 240/60 VAC   | V-67M-17    | 546 OHMS   | AY-38M-17 |

| FLG | QTY | PART NO  | DESCRIPTION  |
|-----|-----|----------|--|
| 8   | 1   | V-537    | NUT - DIN COIL.. SOLENOID SOLUTIONS PART # 120-010-001-08                  |
| 7   | 1   | V-531    | WASHER - MOLDOVER COILS, 302/304 STAINLESS, ALL VALVES                     |
| 6   | 1   | V-61     | O-RING, BUNA-N, 70 DURO, AS-019, (REF 13/16 X 15/16 X 1/16), CLASSIC STEM  |
| 5   | 1   | V-187    | SOLENOID STANDARD PLUNGER WITH BUNA-N SEAT ( # 156-014-001-00 )            |
| 4   | 1   | V-50     | SPRING - SOLENOID, "CLASSIC" SOLENOIDS                                     |
| 3   | 1   | V-62     | SOLENOID SLEEVE, 10-32 UNF VENT  |
| 2   | 1   | V-576    | NAMEPLATE FOR SNAP-TITE DIN & MOLDOVER COILS CALLING OUT NEMA 4 & NEMA 4X. |
| 1   | 1   | V-67M-11 | COIL NEMA 4 MOLD OVER 120/60 VAC   |

|  |                     |  |                 |
|--|---------------------|--|-----------------|
| LIMITS ON DIMENSIONS<br>UNLESS<br>OTHERWISE SPECIFIED                                | 2-PL DECIMAL ± .01  |  <b>AAA PRODUCTS INTERNATIONAL</b><br>7114 Harry Hines Blvd<br>Dallas, TX 75235 |                 |
|  | 3-PL DECIMAL ± .005 |  |                 |
|  | FRACTIONAL ± 1/64   |  |                 |
|  | ANGULAR ± 1/2°      |  |                 |
| DRAWN: RMckenna  | DATE: 8/3/2007      | CHECKED: KWaite  | DATE: 9/22/2013 |
| SCALE: 1 : 1   | SHEET: 1 OF 1       | RELEASED: HWomack  | DATE: 9/22/2013 |
| TITLE:<br><b>CLASSIC SOLENOID -<br/>1/2" NPT CONDUIT,<br/>(MUST SPECIFY VOLTAGE)</b> |                     | PART NO.:<br><b>AY-38M</b>   | REV.:           |

THE INFORMATION CONTAINED WITHIN THIS DOCUMENT IS PROPRIETARY TO AAA PRODUCTS AND MAY NOT BE DISCLOSED WITHOUT PRIOR WRITTEN CONSENT

D:\Engineering\Inventory Files\Internal Drawings\Accessories\Soleno\Asy\AY-38M.dwg