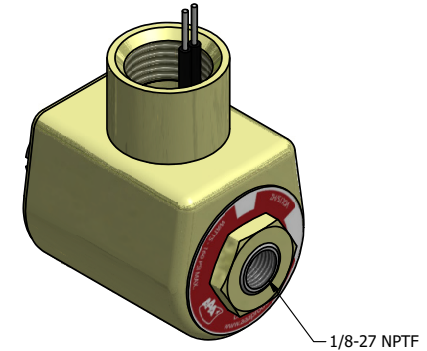
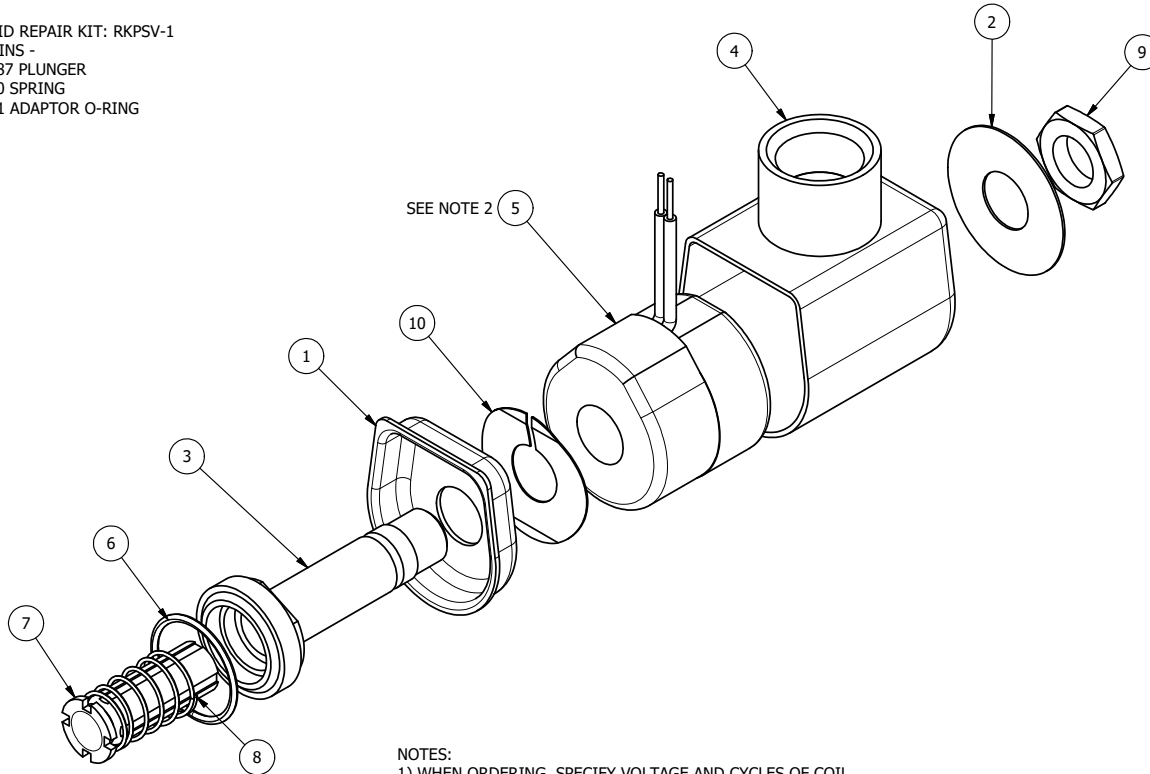


SOLENOID REPAIR KIT: RKPSV-1  
CONTAINS -  
1 V-187 PLUNGER  
1 V-50 SPRING  
1 V-61 ADAPTOR O-RING



- NOTES:  
1) WHEN ORDERING, SPECIFY VOLTAGE AND CYCLES OF COIL.  
2) THE FOLLOWING PART NUMBER IS AFFECTED BY COIL VOLTAGE:

| COIL VOLTAGE | COIL NUMBER | RESISTANCE | AAA PART      |
|--------------|-------------|------------|---------------|
| 6 VDC        | V-67-3      | 2.4 OHMS   | AY-38T 6VDC   |
| 12 VDC       | V-67-5      | 12.8 OHMS  | AY-38T 12VDC  |
| 24 VDC       | V-67-8      | 61 OHMS    | AY-38T 24VDC  |
| 28 VDC       | V-67-9      | 97.4 OHMS  | AY-38T 28VDC  |
| 24/60 VAC    | V-67-4      | 5.39 OHMS  | AY-38T 24/60  |
| 120/60 VAC   | V-67-11     | 135 OHMS   | AY-38T 120/60 |
| 240/60 VAC   | V-67-17     | 546 OHMS   | AY-38T 240/60 |

| FLG | QTY | PART NO | DESCRIPTION   |
|-----|-----|---------|---|
| 10  | 1   | V-138   | SOLENOID SPRING WASHER (BRASS)  |
| 9   | 1   | V-60    | SOLENOID NUT FOR ALL OPERATOR EXCEPT EXP.PROOF                            |
| 8   | 1   | V-50    | SPRING - SOLENOID, "CLASSIC" SOLENOIDS                                    |
| 7   | 1   | V-187   | SOLENOID STANDARD PLUNGER WITH BUNA-N SEAT ( # 156-014-001-00 )           |
| 6   | 1   | V-61    | O-RING, BUNA-N, 70 DURO, AS-019, (REF 13/16 X 15/16 X 1/16), CLASSIC STEM |
| 5   | 1   | V-67-11 | COIL MOLDED 120/60 VAC 38.5 VDC   |
| 4   | 1   | V-55    | SOLENOID HOUSING  |
| 3   | 1   | V-98    | SLEEVE - TAPPED EXHAUST, "CLASSIC" SOLENOID                               |
| 2   | 1   | V-15    | NAMEPLATE SOLENOID (BLANK)  |
| 1   | 1   | V-64    | SOLENOID HOUSING BOTTOM   |

LIMITS ON DIMENSIONS  
UNLESS OTHERWISE SPECIFIED  
2-PL DECIMAL ± .01  
3-PL DECIMAL ± .005  
FRACTIONAL ± 1/64  
ANGULAR ± 1/2°

**AAA** PRODUCTS INTERNATIONAL  
7114 Harry Hines Blvd  
Dallas, TX 75235

DRAWN: RMckenna DATE: 2/25/2011 CHECKED: KWaite DATE: 9/22/2013  
SCALE: 1 : 1 SHEET: 1 OF 1 RELEASED: HWomack DATE: 9/22/2013

TITLE: CLASSIC SOLENOID - STANDARD, TAPPED EXHAUST, (SPECIFY VOLTAGE)  
PART NO.: AY-38T  
REV.:

THE INFORMATION CONTAINED WITHIN THIS DOCUMENT IS PROPRIETARY TO AAA PRODUCTS AND MAY NOT BE DISCLOSED WITHOUT PRIOR WRITTEN CONSENT

D:\Engineering\Inventory Files\Internal Drawings\Accessories\Soleno\Asy\AY-38T.rvt