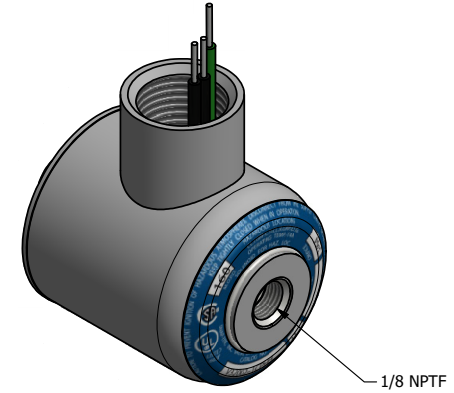
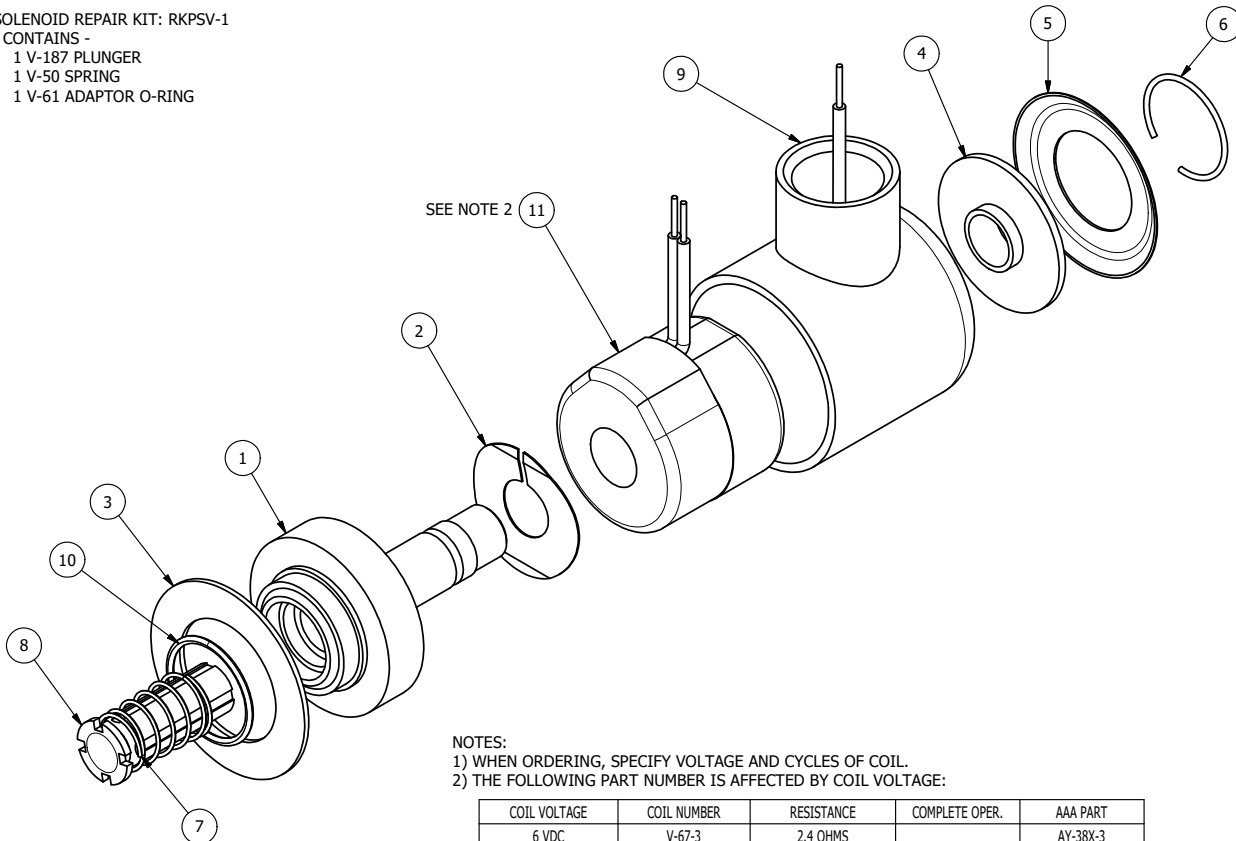


SOLENOID REPAIR KIT: RKPSV-1
CONTAINS -
1 V-187 PLUNGER
1 V-50 SPRING
1 V-61 ADAPTOR O-RING



SEE NOTE 2 11

NOTES:
1) WHEN ORDERING, SPECIFY VOLTAGE AND CYCLES OF COIL.
2) THE FOLLOWING PART NUMBER IS AFFECTED BY COIL VOLTAGE:

COIL VOLTAGE	COIL NUMBER	RESISTANCE	COMPLETE OPER.	AAA PART
6 VDC	V-67-3	2.4 OHMS		AY-38X-3
12 VDC	V-67-5	12.8 OHMS	V-280-5	AY-38X-5
24 VDC	V-67-8	61 OHMS	V-280-8	AY-38X-8
28 VDC	V-67-9	97.4 OHMS		AY-38X-9
24/60 VAC	V-67-4	5.39 OHMS		AY-38X-4
120/60 VAC	V-67-11	135 OHMS	V-280-11	AY-38X-11
240/60 VAC	V-67-17	546 OHMS	V-280-17	AY-38X-17

FLG	QTY	PART NO	DESCRIPTION
11	1	V-67-11	COIL MOLDED 120/60 VAC 38.5 VDC
10	1	V-61	O-RING, BUNA-N, 70 DURO, AS-019, (REF 13/16 X 15/16 X 1/16), CLASSIC STEM
9	1	V-139	SOLENOID HOUSING FOR EXPLOSION PROOF OPERATORS
8	1	V-187	SOLENOID STANDARD PLUNGER WITH BUNA-N SEAT (# 156-014-001-00)
7	1	V-50	SPRING - SOLENOID, "CLASSIC" SOLENOIDS
6	1	V-141	SOLENOID NAMEPLATE RETAINER RING FOR EXP.PROOF OPERATOR. - SS
5	1	V-15X-120/60	PRINTED NAME PLATE--VOLTAGE 120/60. SOLENOID SOLUTION # 160-014-002-00
4	1	V-140	SOLENOID NUT FOR FLANGED EXP. PROOF OPERATORS
3	1	V-22	SOLENOID WASHER FOR EXPLOSION PROOF HOUSING
2	1	V-138	SOLENOID SPRING WASHER (BRASS)
1	1	V-575	SLEEVE ASSEMBLY FOR EXPLOSION PROOF OPERATOR

LIMITS ON DIMENSIONS
UNLESS OTHERWISE SPECIFIED
2-PL DECIMAL ± .01
3-PL DECIMAL ± .005
FRACTIONAL ± 1/64
ANGULAR ± 1/2°



DRAWN: RHuffstetter	DATE: 3/17/2000	CHECKED: KWaite	DATE: 9/22/2013
SCALE: 1 : 1	SHEET: 1 OF 1	RELEASED: HWomack	DATE: 9/22/2013
TITLE: CLASSIC SOLENOID - EXPLOSION PROOF, (SPECIFY VOLTAGE)		PART NO.: AY-38X	REV.:

THE INFORMATION CONTAINED WITHIN THIS DOCUMENT IS PROPRIETARY TO AAA PRODUCTS AND MAY NOT BE DISCLOSED WITHOUT PRIOR WRITTEN CONSENT

D:\Engineering\Inventory Files\Internal Drawings\Explosion Proof Solenoid Assy\AY-38X.dwg