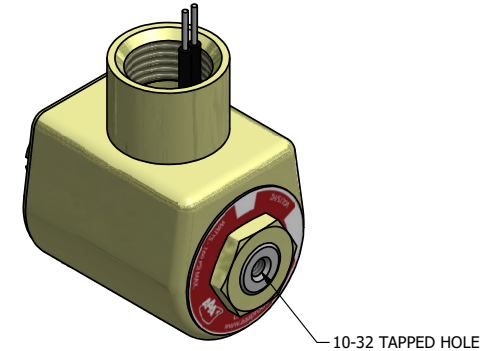
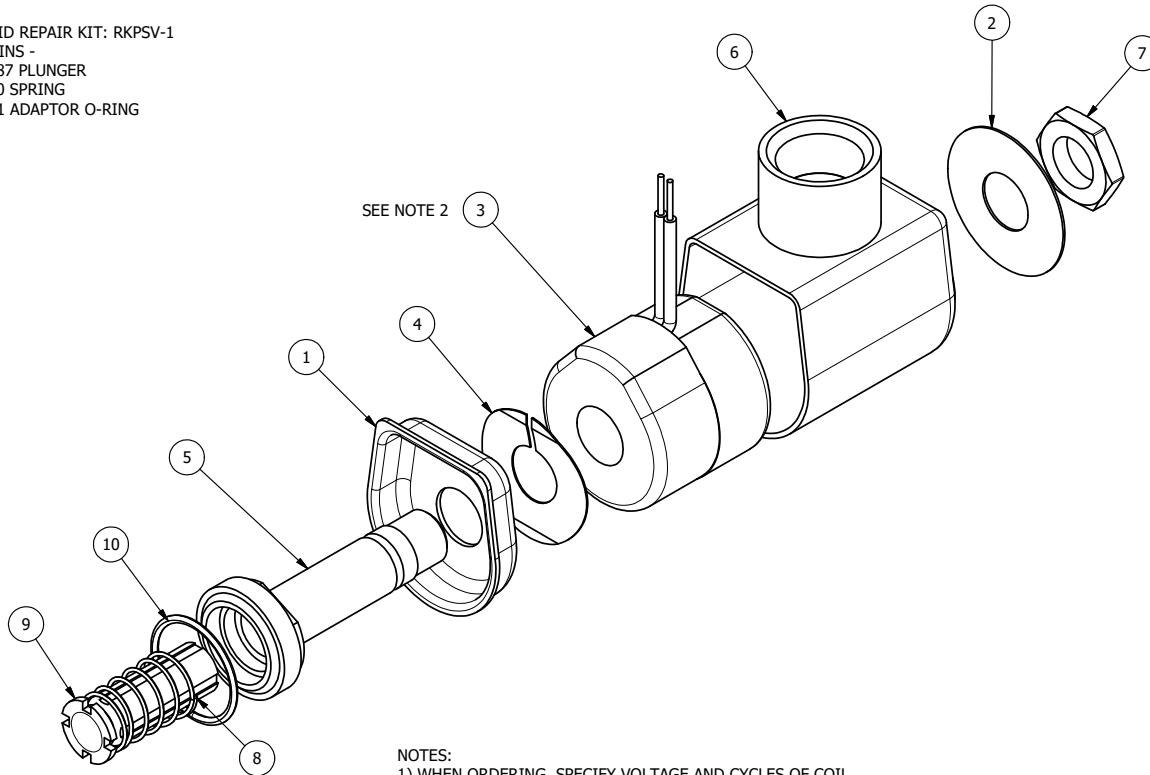



SOLENOID REPAIR KIT: RKPSV-1
 CONTAINS -
 1 V-187 PLUNGER
 1 V-50 SPRING
 1 V-61 ADAPTOR O-RING



NOTES:
 1) WHEN ORDERING, SPECIFY VOLTAGE AND CYCLES OF COIL.
 2) THE FOLLOWING PART NUMBER IS AFFECTED BY COIL VOLTAGE:

COIL VOLTAGE	COIL NUMBER	RESISTANCE	COMPLETE OPER.	AAA PART
6 VDC	V-67-3	2.4 OHMS		AY-38-3
12 VDC	V-67-5	12.8 OHMS	V-72	AY-38-5
24 VDC	V-67-8	61 OHMS		AY-38-8
28 VDC	V-67-9	97.4 OHMS		AY-38-9
120 VDC	V-67-22			AY-38-22
24/60 VAC	V-67-4	5.39 OHMS		AY-38-4
120/60 VAC	V-67-11	135 OHMS	V-66	AY-38-11
240/60 VAC	V-67-17	546 OHMS	V-44	AY-38-17
480/60 VAC	V-67-24			AY-38-24

FLG	QTY	PART NO	DESCRIPTION
8	1	V-50	SPRING - SOLENOID, "CLASSIC" SOLENOIDS
2	1	V-13	NAMEPLATE SOLENOID 120/60 PRINTED
1	1	V-66	SOLENOID COMP. OPER., 120/60, STANDARD W/MOLDED COIL

LIMITS ON DIMENSIONS UNLESS OTHERWISE SPECIFIED		2-PL DECIMAL ± .01 3-PL DECIMAL ± .005 FRACTIONAL ± 1/64 ANGULAR ± 1/2°		 AAA PRODUCTS INTERNATIONAL 7114 Harry Hines Blvd Dallas, TX 75235
DRAWN: RMckenna	DATE: 10/5/1995	CHECKED: KWaite	DATE: 9/22/2013	
SCALE: 1 : 1	SHEET: 1 OF 1	RELEASED: HWomack	DATE: 9/22/2013	
TITLE: CLASSIC SOLENOID - STANDARD, (SPECIFY VOLTAGE)		PART NO.: AY-38	REV.: A	

A	NO.	DATE	REVISION
	10/5/95	REDRAWN AND CONV TO CAD	

THE INFORMATION CONTAINED WITHIN THIS DOCUMENT IS PROPRIETARY TO AAA PRODUCTS AND MAY NOT BE DISCLOSED WITHOUT PRIOR WRITTEN CONSENT

D:\Engineering\Inventory Files\Internal Drawings\Accessories\Solenoid Assy\AY-38.dwg