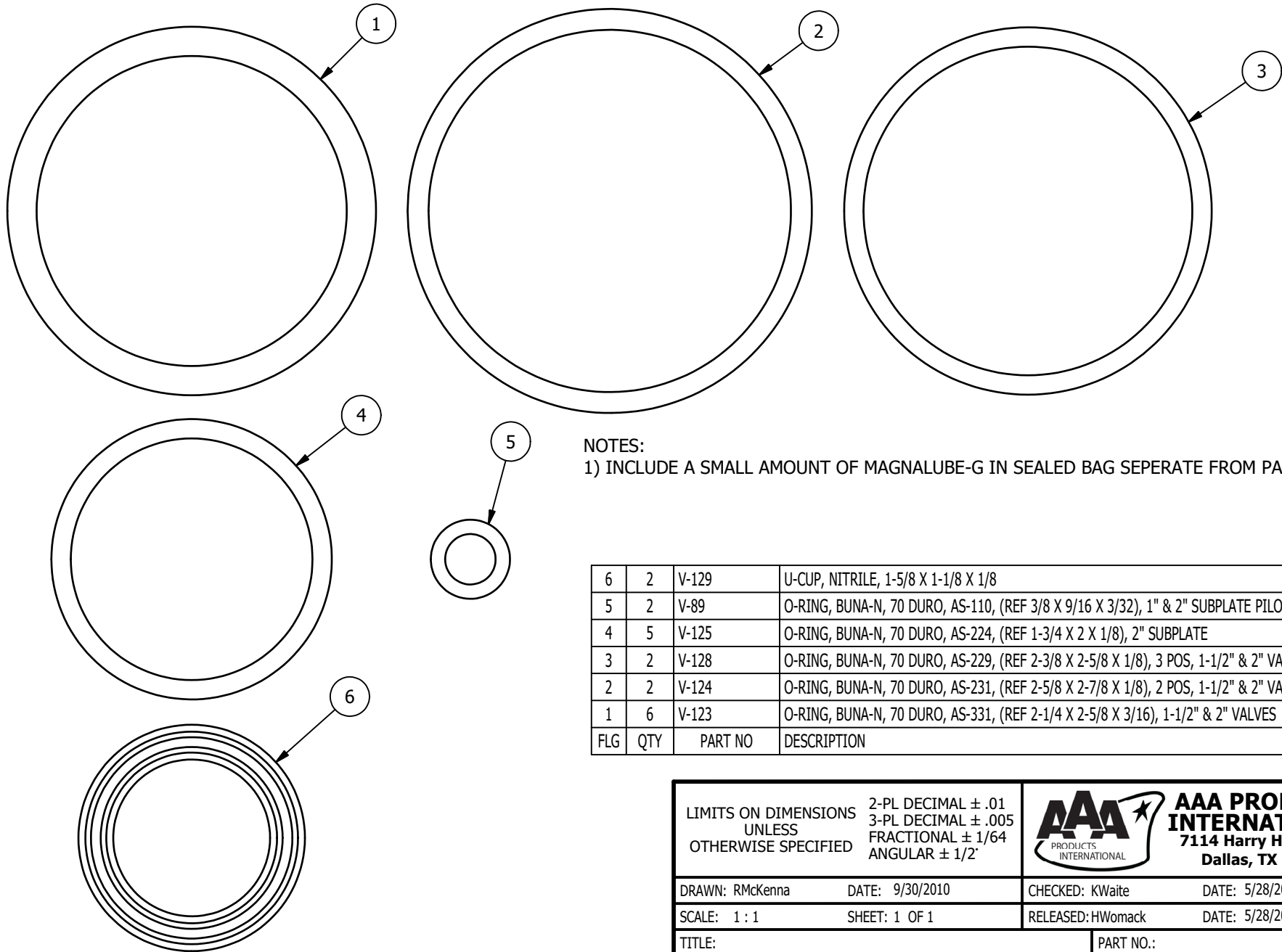


2

1



NOTES:

1) INCLUDE A SMALL AMOUNT OF MAGNALUBE-G IN SEALED BAG SEPERATE FROM PARTS.

6	2	V-129	U-CUP, NITRILE, 1-5/8 X 1-1/8 X 1/8
5	2	V-89	O-RING, BUNA-N, 70 DURO, AS-110, (REF 3/8 X 9/16 X 3/32), 1" & 2" SUBPLATE PILOT
4	5	V-125	O-RING, BUNA-N, 70 DURO, AS-224, (REF 1-3/4 X 2 X 1/8), 2" SUBPLATE
3	2	V-128	O-RING, BUNA-N, 70 DURO, AS-229, (REF 2-3/8 X 2-5/8 X 1/8), 3 POS, 1-1/2" & 2" VALVES
2	2	V-124	O-RING, BUNA-N, 70 DURO, AS-231, (REF 2-5/8 X 2-7/8 X 1/8), 2 POS, 1-1/2" & 2" VALVES
1	6	V-123	O-RING, BUNA-N, 70 DURO, AS-331, (REF 2-1/4 X 2-5/8 X 3/16), 1-1/2" & 2" VALVES
FLG	QTY	PART NO	DESCRIPTION

LIMITS ON DIMENSIONS
UNLESS
OTHERWISE SPECIFIED

2-PL DECIMAL ± .01
3-PL DECIMAL ± .005
FRACTIONAL ± 1/64
ANGULAR ± 1/2°



**AAA PRODUCTS
INTERNATIONAL**
7114 Harry Hines Blvd
Dallas, TX 75235

DRAWN: RMckenna

DATE: 9/30/2010

CHECKED: KWaitte

DATE: 5/28/2015

SCALE: 1 : 1

SHEET: 1 OF 1

RELEASED: HWomack

DATE: 5/28/2015

TITLE:

**KIT - VALVE REPAIR, MAIN BODY,
BUNA-N BODY O-RINGS,
ALL 1-1/2" & 2"**

PART NO.:

ERKV-16

REV.:

2

1