

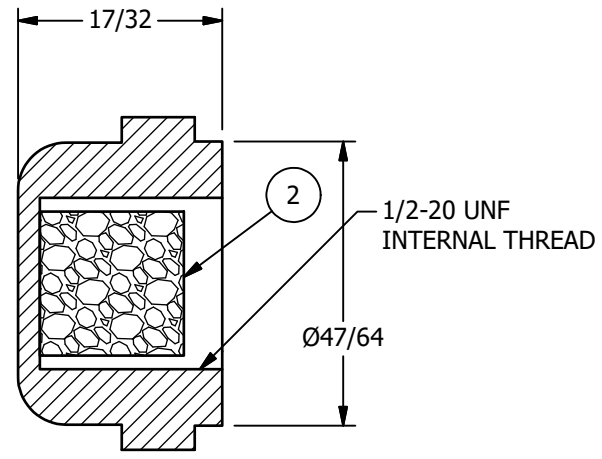
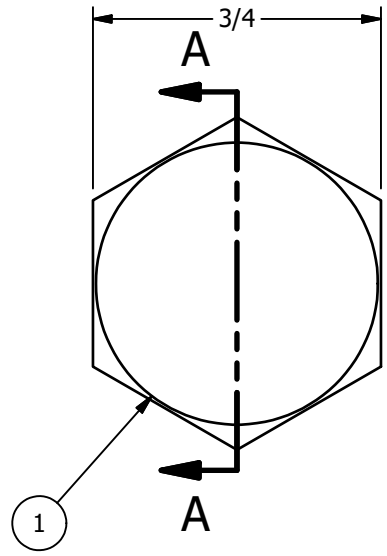
2 ↓ 1

B

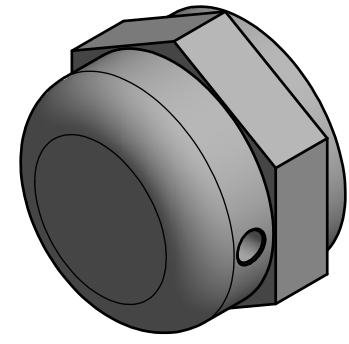
↕

A

2




SECTION A-A
SCALE 2 : 1



B

↕

FLG	QTY	PART NO	DESCRIPTION
2	1	V-174	FOAM INSERT, DUST EXCLUDER, FM1, (15 PPI .375" THK)
1	1	V-40	NUT - SOL. DUST EXCLUDER, ALL VALVES

LIMITS ON DIMENSIONS UNLESS OTHERWISE SPECIFIED	2-PL DECIMAL ± .01 3-PL DECIMAL ± .005 FRACTIONAL ± 1/64 ANGULAR ± 1/2°	 AAA PRODUCTS INTERNATIONAL 7114 Harry Hines Blvd Dallas, TX 75235	
DRAWN: RMcKenna	DATE: 2/17/2015	CHECKED:	DATE:
SCALE: None	SHEET: 1 OF 1	RELEASED:	DATE:
TITLE: ASSY, NUT ACORN, SOLENOID DUST EXCLUDER, (COMPLETE)		PART NO.: FM-1	REV.:

D:\Engineering\Inventor Files\Internal Drawings\Valves\Mufflers\FM-1.dwg