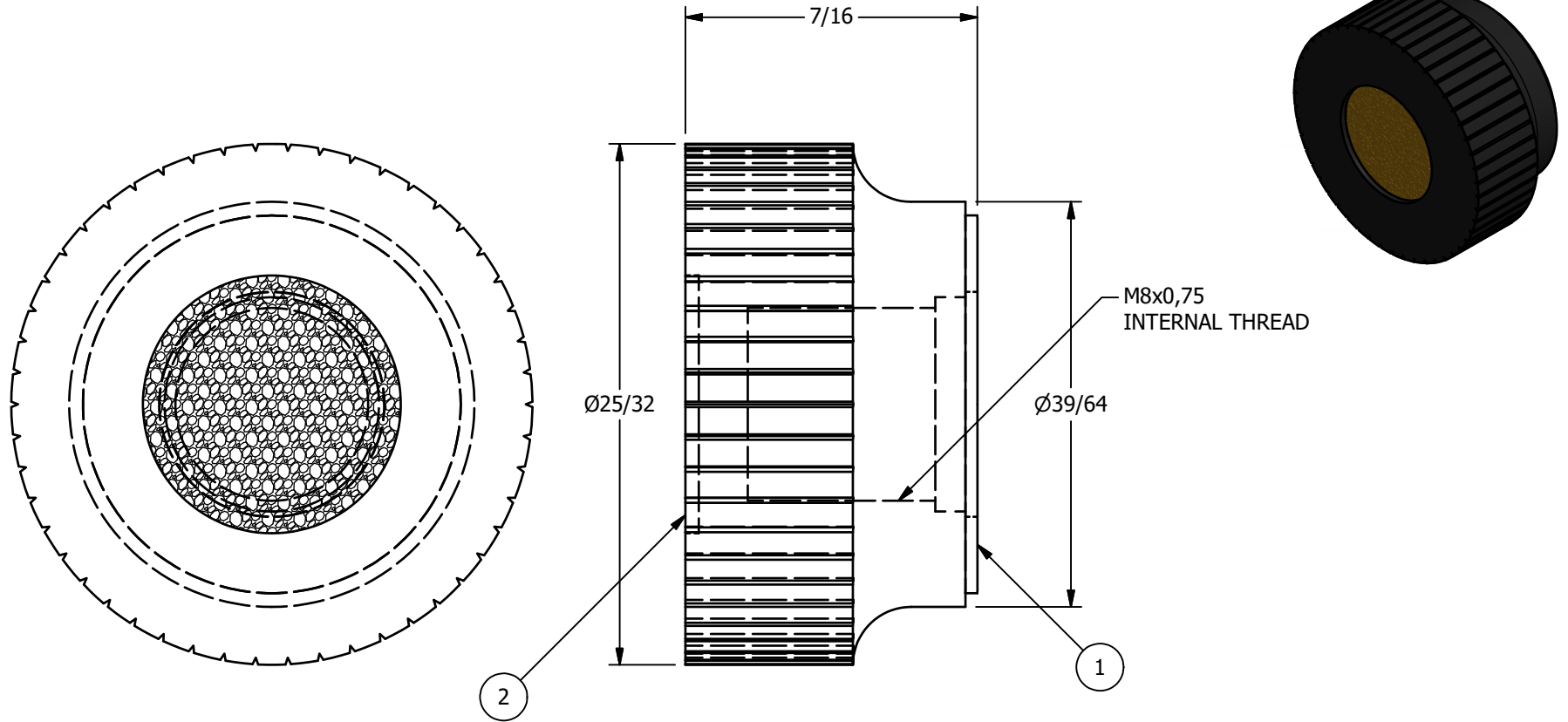


2

1



2	1	V-567	NUT, SOLENOID, MUFFLER, SINTERED BRONZE
1	1	V-613	NASS #NN 3162 251, SPRING WASHER, FOR USE WITH V-567 NUT.
FLG	QTY	PART NO	DESCRIPTION

LIMITS ON DIMENSIONS
UNLESS OTHERWISE SPECIFIED

2-PL DECIMAL ± .01
3-PL DECIMAL ± .005
FRACTIONAL ± 1/64
ANGULAR ± 1/2°



AAA PRODUCTS INTERNATIONAL
7114 Harry Hines Blvd
Dallas, TX 75235

DRAWN: RMckenna DATE: 8/27/2014

CHECKED: KWaiter DATE: 8/27/2014

SCALE: 5 : 1 SHEET: 1 OF 1

RELEASED: HWomack DATE: 8/27/2014

TITLE:
E SERIES SINTERED BRONZE MUFFLER,
DUST EXCLUDER, V-613 LOCK WASHER

PART NO.:
V-567W

REV.:

2

1



THE INFORMATION CONTAINED WITHIN THIS DOCUMENT IS PROPRIETARY TO AAA PRODUCTS AND MAY NOT BE DISCLOSED WITHOUT PRIOR WRITTEN CONSENT

D:\Engineering\Inventor Files\Internal Drawings\Valves\Nass\V-567W.dwg