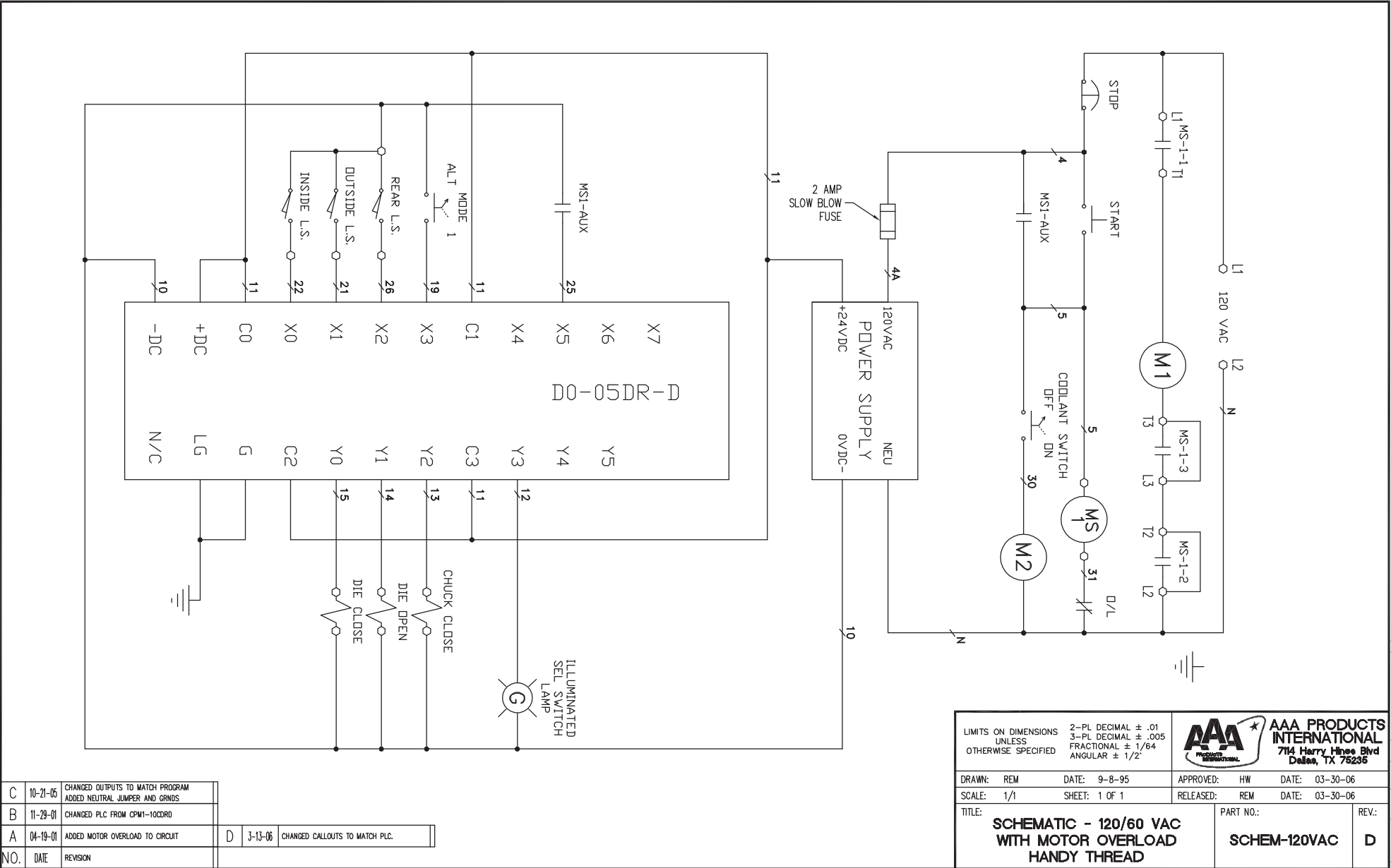



# HT-1P Electrical Information (Standard 120 Volt - Single Phase)

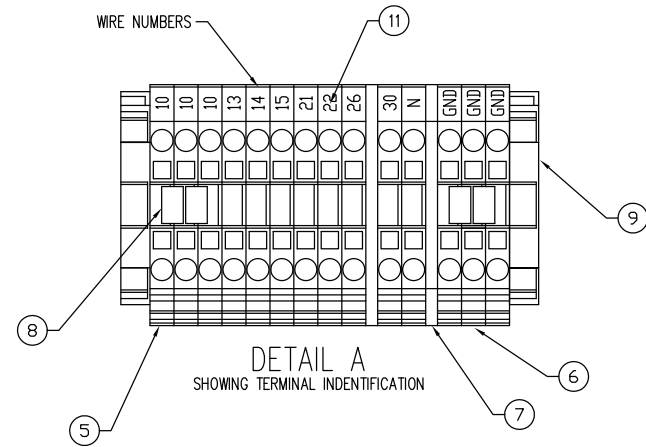
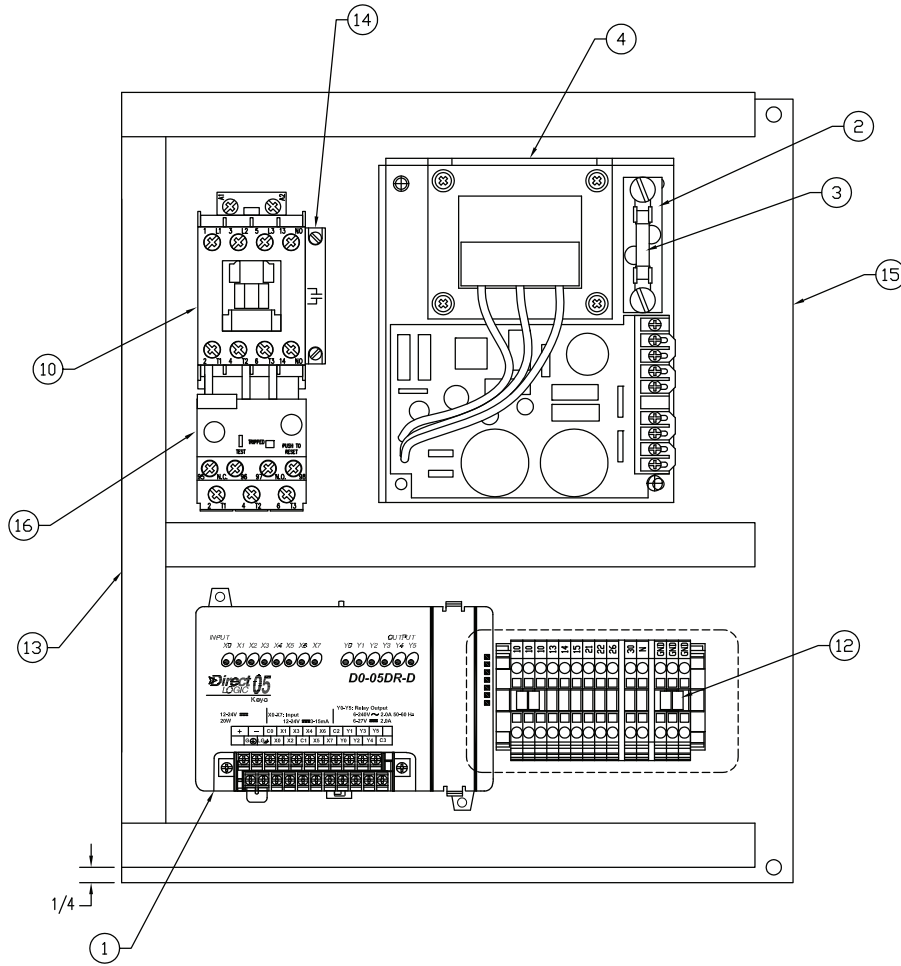


LIMITS ON DIMENSIONS UNLESS OTHERWISE SPECIFIED		2-PL DECIMAL ± .01 3-PL DECIMAL ± .005 FRACTIONAL ± 1/64 ANGULAR ± 1/2°	 <b>AAA PRODUCTS INTERNATIONAL</b> 714 Harry Hines Blvd Dallas, TX 75235	
DRAWN: REM	DATE: 9-8-95	APPROVED: HW	DATE: 03-30-06	
SCALE: 1/1	SHEET: 1 OF 1	RELEASED: REM	DATE: 03-30-06	
TITLE: <b>SCHEMATIC - 120/60 VAC WITH MOTOR OVERLOAD HANDY THREAD</b>		PART NO.: <b>SCHEM-120VAC</b>		REV: <b>D</b>

C	10-21-06	CHANGED OUTPUTS TO MATCH PROGRAM ADDED NEUTRAL JUMPER AND GRNDS		
B	11-29-01	CHANGED PLC FROM CPW1-10CCRD		
A	04-19-01	ADDED MOTOR OVERLOAD TO CIRCUIT	D	3-13-06 CHANGED CALLOUTS TO MATCH PLC.
NO.	DATE	REVISION		

D:\VMA Drive 6\Drawings\THREED\Check\SCHEM-120VAC.Dwg 7/7/06 11:29:52 AM

# HT-1P Electrical Information (Standard 120 Volt - Single Phase)



SEE NOTE 3 ⇨

16	1	9-H-278	CONTACTOR, OVERLOAD, 120 V. SINGLE PHASE MOTOR, 193-ESTCB (1)
15	1	9-H-249	ELECTRICAL PANEL, (P1412), HANDY THREAD (1)
14	1	9-H-279	CONTACTOR, AUXILIARY CONTACT, 100-SA10 (1)
13	4	9-H-274	WIRE DUCT, T1-0510G-1, DUCT & LID, GREY. (PER FT)
12	1	9-H-273	TERMINAL STRIP, MOUNTING RAIL, DN-R35S1 (3-3/4")
11	11	9-H-258	TERMINAL STRIP, WIRE NUMBERS, DN-QLB (14)
10	1	9-H-271	CONTACTOR, 120 VOLT MOTOR, 100C23D10 (1)
9	2	9-H-257	TERMINAL STRIP, END STOP, DN-EB35(2)
8	4	9-H-256	TERMINAL STRIP, JUMPER, DN-Q2J1210 (4)
7	2	9-H-255	TERMINAL STRIP, DIVIDER, DN-QEC12(2)
6	3	9-H-254	TERMINAL STRIP, GROUND TERMINAL, DN-QG12(3)
5	11	9-H-253	TERMINAL STRIP, WIRE TERMINAL, DN-Q12 (11)
4	1	9-H-276	POWER SUPPLY, SLS-24-024T (1)
3	1	9-H-251	FUSE, 2 AMP SLOW BLOW FOR 120 VOLT MACHINE (1)
2	1	9-H-250	FUSE, HOLDER, 4512 (1)
1	1	9-H-350	PROGRAMMABLE CONTROL UNIT, D0-05DR-D (1)
FLG	QNTY	PART NO.	USE

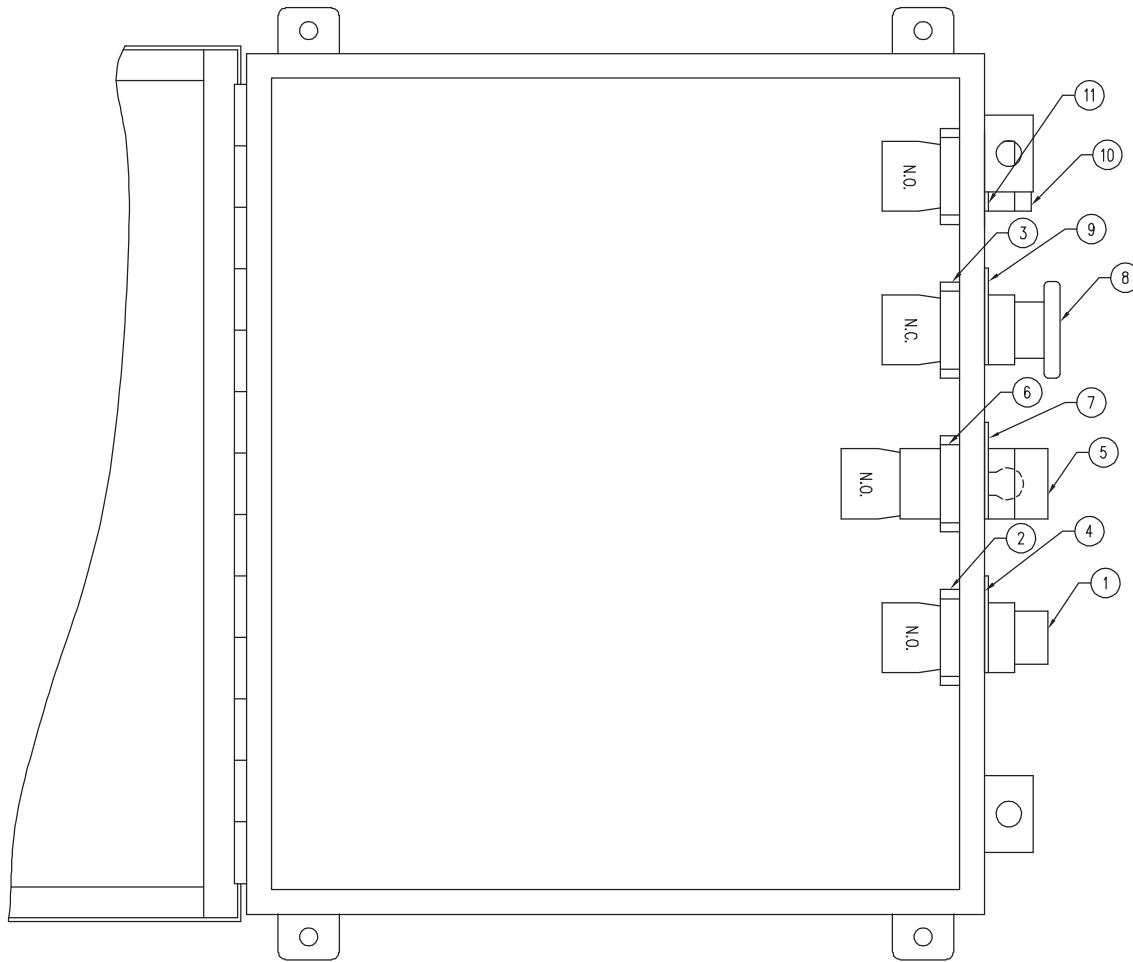
NO.	DATE	REVISION
D	4-21-09	ADDED 2 GND, MOVED BOTTOM PANDUIT UP. H-194 & UP.
C	3-13-06	RMVD MEMORY CARTRIDGE
B	04-12-01	ADDED OVERLOAD AND AUX CONTACT
A	7-1-98	RMV AUX. CONTACT, MODIFIED MAT. NUMBERS AND DESC.

**NOTES:**

1. WIRE PER HANDY THREAD SCHEMATIC DRAWING NO SCHEM-120VAC FOR 120V OPERATION.
2. SOME HARDWARE ITEMS (SCREWS, ADHESIVES, ETC.) ARE NOT LISTED.
3. CUT TERMINAL STRIP TO 3-3/4 TO 3-13/16 LENGTH.


LIMITS ON DIMENSIONS UNLESS OTHERWISE SPECIFIED	2-PL DECIMAL ± .01 3-PL DECIMAL ± .005 FRACTIONAL ± 1/64 ANGULAR ± 1/2°	<p><b>AAA PRODUCTS INTERNATIONAL</b> 7114 Harry Hines Blvd Dallas, TX 75235</p>	
DRAWN: REM	DATE: 1-1-98		CHECKED: HW DATE: 04-27-09
SCALE: 1/2	SHEET: 1 OF 1	RELEASED: REM DATE: 04-27-09	
TITLE: <b>120VAC ELECTRICAL PANEL, WITH 1.5 OR 2 HP MOTOR, HANDY THREAD</b>		PART NO.: <b>9-H-182</b>	REV.: <b>D</b>

# HT-1P Electrial Information (Standard 120 Volt - Single Phase)



⑪	1	9-H-270	LEGEND PLATE, START, (1)
⑩	1	9-H-262	SWITCH, GREEN START BUTTON, ZB4-BW333 (1)
⑨	1	9-H-269	LEGEND PLATE, STOP (1)
⑧	1	9-H-261	SWITCH, RED STOP, ZB4-BC4 (1)
⑦	1	9-H-347	LEGEND PLATE, TWO MODE, ALT. AND 1 ONLY, (1)
⑥	1	9-H-349	SWITCH, MOUNTING BASE W/LED LIGHT & 1 N.O., ZB4-BWOB31 (1)
⑤	1	9-H-348	SWITCH, 2 POSITION LIGHT SELECTOR, ZB4-BK1233 (1)
④	1	9-H-267	LEGEND PLATE, COOLANT SELECTOR (1)
③	1	9-H-265	SWITCH, MOUNTING BASE W/N.C., ZB4-BZ102 (1)
②	2	9-H-264	SWITCH, MOUNTING BASE W/N.O., ZB4-BZ101 (2)
①	1	9-H-259	SWITCH, 2-POSITION SELECTOR, ZB4-BD2 (1)
FLG	QNTY	PART NO.	USE

D	3-13-06	RMVD PANEL DETAIL - CREATED STD BOX
C	11-30-01	CHANGED MODE FROM 3 POS REMOVED CONT
B	5-31-00	ADDED 230VAC-3PH NOTE UPDATED DRAWING NUMBERS IN NOTES
A	7-1-98	RMV AUX. CONTACT MODIFIED SWITCH SPACING
NO.	DATE	REVISION

LIMITS ON DIMENSIONS UNLESS OTHERWISE SPECIFIED	2-PL DECIMAL ± .01 3-PL DECIMAL ± .005 FRACTIONAL ± 1/64 ANGULAR ± 1/2°	 <b>AAA PRODUCTS INTERNATIONAL</b> 714 Harry Hines Blvd Dallas, TX 75235	
DRAWN: REM	DATE: 9-8-95		APPROVED: HW DATE: 03-13-06
SCALE: 1/2	SHEET: 1 OF 1	RELEASED: REM DATE: 03-13-06	
TITLE: <b>ELECT. BOX - STANDARD HANDY THREAD</b>		PART NO.: <b>9-H-183</b>	REV.: <b>D</b>

D:\AAI Drive C\Drawings\11RED01\Elect\9-H-183.Dwg 7/13/06 11:35:09 PM