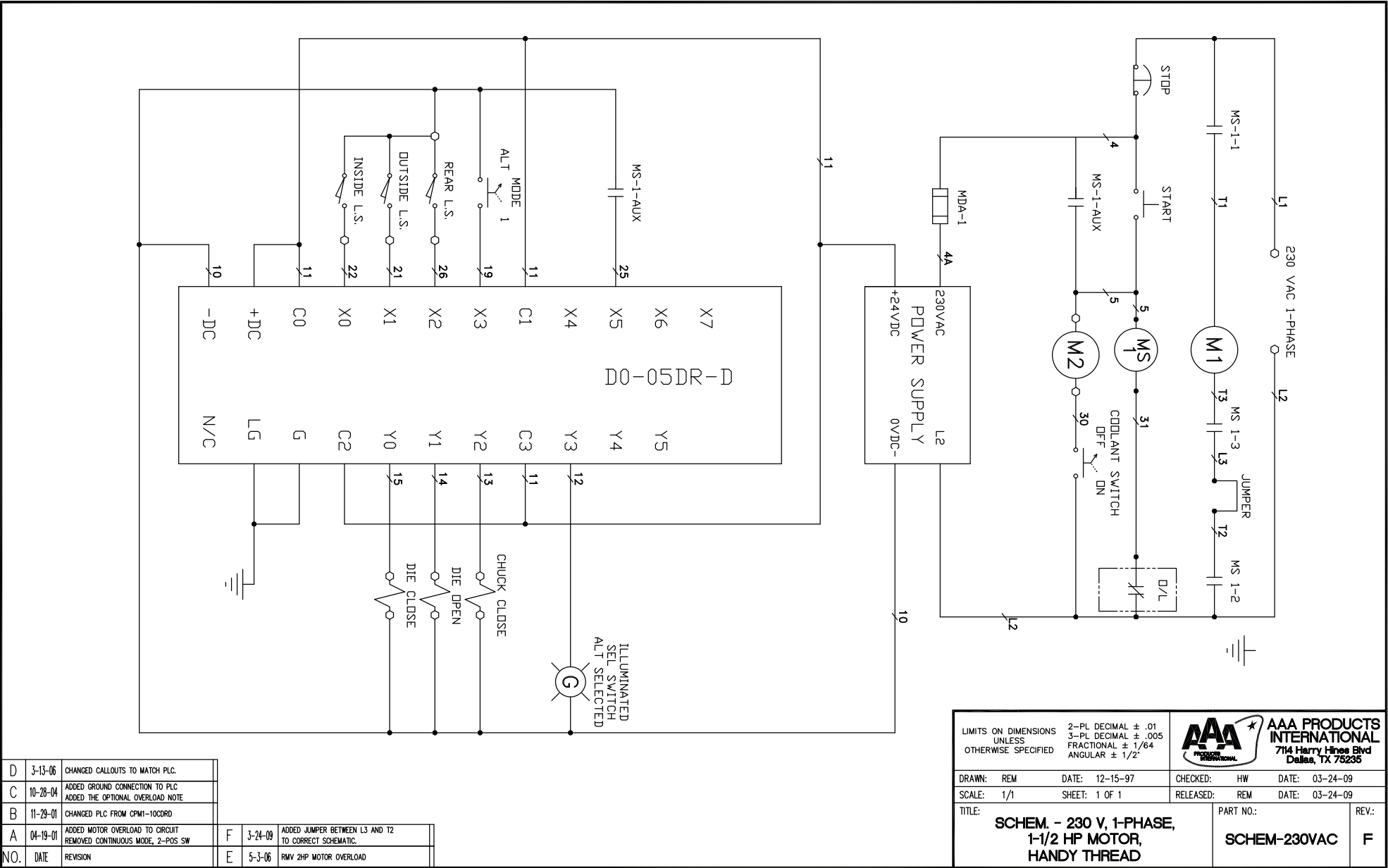


HT-1P Electrical Information (Standard 230 Volt - Single Phase - 1-1/2HP)



D	3-13-06	CHANGED CALLOUTS TO MATCH PLC.
C	10-28-04	ADDED GROUND CONNECTION TO PLC ADDED THE OPTIONAL OVERLOAD NOTE
B	11-29-01	CHANGED PLC FROM CP11-10CCRD
A	04-19-01	ADDED MOTOR OVERLOAD TO CIRCUIT REMOVED CONTINUOUS MODE, 2-POS SW
NO.	DATE	REVISION

F	3-24-09	ADDED JUMPER BETWEEN L3 AND T2 TO CORRECT SCHEMATIC.
E	5-3-06	RMV 2HP MOTOR OVERLOAD

LIMITS ON DIMENSIONS
UNLESS
OTHERWISE SPECIFIED



**AAA PRODUCTS
INTERNATIONAL**
7114 Harry Hines Blvd
Dallas, TX 75235

DRAWN: REM	DATE: 12-15-97	CHECKED: HW	DATE: 03-24-09
SCALE: 1/1	SHEET: 1 OF 1	RELEASED: REM	DATE: 03-24-09

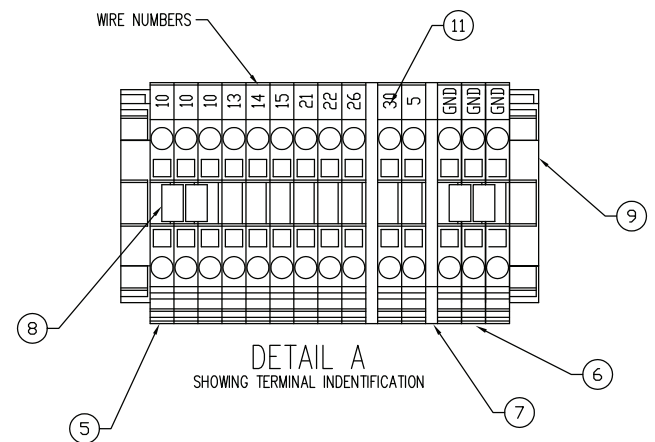
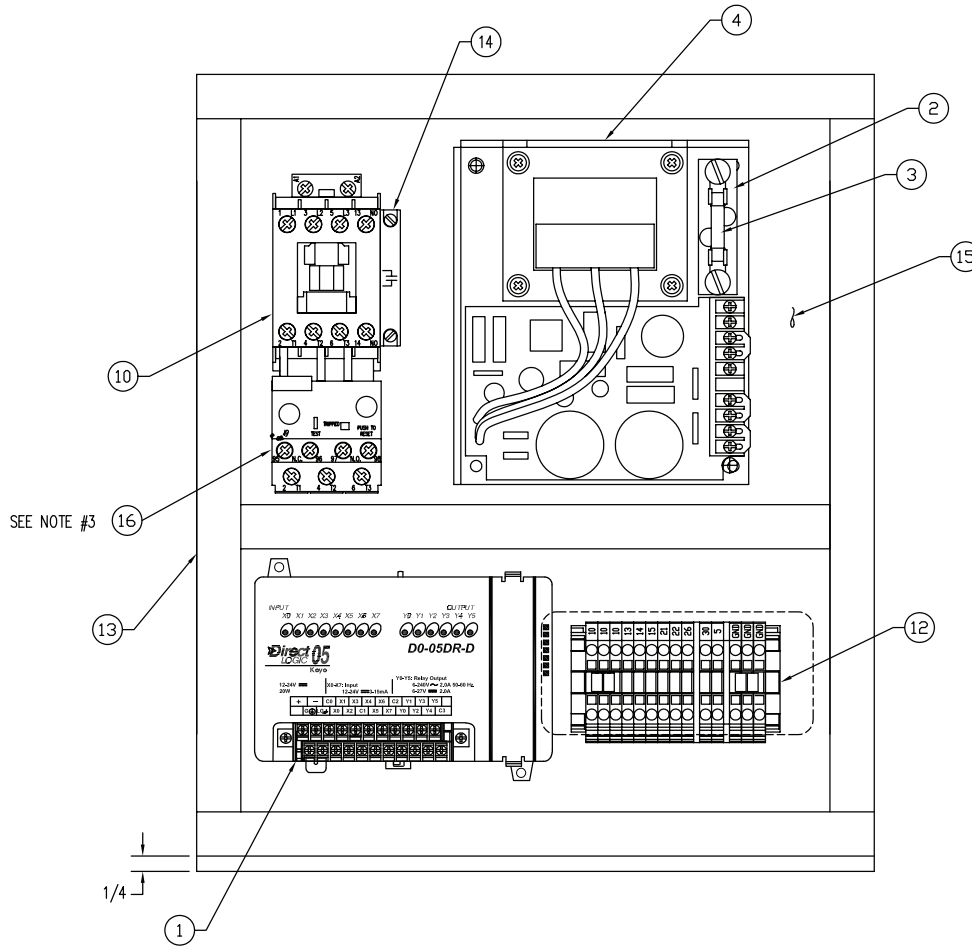
TITLE:
**SCHEM. - 230 V, 1-PHASE,
1-1/2 HP MOTOR,
HANDY THREAD**

PART NO.:
SCHEM-230VAC

REV.:
F

D:\Engineering\Drawings\Thread\SCHEM-230VAC.rvt 4/26/09 1:52:26 PM

HT-1P Electrical Information (Standard 230 Volt - Single Phase - 1-1/2HP)



SEE NOTE 4 ⇔

16	1	9-H-355	CONTACTOR, OVERLOAD, 230 V. SINGLE PHASE MOTOR, 193-ES1BB (SP)
15	1	9-H-249	ELECTRICAL PANEL, (P1412), HANDY THREAD (1)
14	1	9-H-279	CONTACTOR, AUXILIARY CONTACT, 100-SA10 (1)
13	1	9-H-274	WIRE DUCT, T1-0510G-1, DUCT & LID, GREY. (PER FT)
12	1	9-H-273	TERMINAL STRIP, MOUNTING RAIL, DN-R35S1 (3-3/4")
11	11	9-H-258	TERMINAL STRIP, WIRE NUMBERS, DN-QLB (14)
10	1	9-H-272	CONTACTOR, 230 VOLT MOTOR, 100-C23A10 (SP)
9	2	9-H-257	TERMINAL STRIP, END STOP, DN-EB35(2)
8	4	9-H-256	TERMINAL STRIP, JUMPER, DN-Q2J12(4)
7	2	9-H-255	TERMINAL STRIP, DIVIDER, DN-QEC12(2)
6	3	9-H-254	TERMINAL STRIP, GROUND TERMINAL, DN-QG12(3)
5	11	9-H-253	TERMINAL STRIP, WIRE TERMINAL, DN-Q12 (11)
4	1	9-H-276	POWER SUPPLY, SLS-24-024T (1)
3	1	9-H-252	FUSE, 1 AMP SLOW BLOW FOR 230 VOLT MACHINE (SP)
2	1	9-H-250	FUSE, HOLDER, 4512 (1)
1	1	9-H-350	PROGRAMMABLE CONTROL UNIT, D0-05DR-D (1)
FLG	QNTY	PART NO.	USE

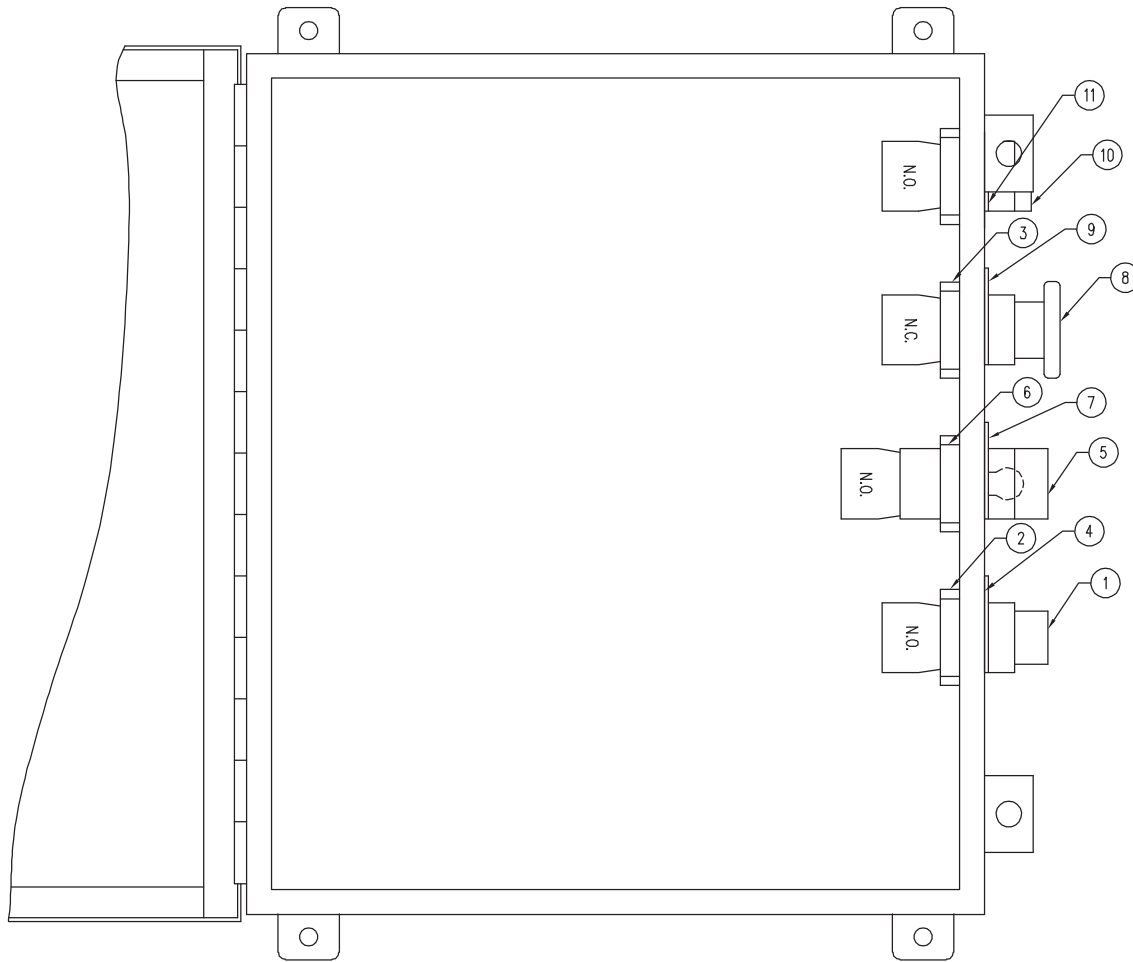
- NOTES:
1. WIRE PER HANDY THREAD SCHEMATIC DRAWING NO SCHEM-230VAC FOR 230V-1PH OPERATION.
 2. SOME HARDWARE ITEMS (SCREWS, ADHESIVES, ETC.) ARE NOT LISTED.
 3. ITEM 16 NOT REQUIRED WHEN MOTOR IS SUPPLIED WITH OVERLOAD.
 4. CUT TERMINAL STRIP TO 3-3/4 TO 3-13/16 LENGTH.

NO.	DATE	REVISION
C	4-21-09	ADDED 2 GND, MOVED BOTTOM PANDUIT UP. H-194 & UP.
B	3-13-06	CLARIFIED 1.5 HP MOTOR
A	10-4-01	CHANGED PLC FROM CP1M-10CDR-D ADDED MEMORY BACKUP CARD

LIMITS ON DIMENSIONS UNLESS OTHERWISE SPECIFIED	2-PL DECIMAL ± .01 3-PL DECIMAL ± .005 FRACTIONAL ± 1/64 ANGULAR ± 1/2°	<p>AAA PRODUCTS INTERNATIONAL 7114 Harry Hines Blvd Dallas, TX 75235</p>	
DRAWN: RH	DATE: 8-25-00		CHECKED: HW
SCALE: 1/2	SHEET: 1 OF 1	RELEASED: REM	DATE: 04-21-09
TITLE: 230V-1PH ELECTRICAL PANEL, WITH 1.5 HP MOTOR, HANDY THREAD		PART NO.: 9-H-327	REV.: C


D:\Engineering\Drawings\Thread\9-H-327.dwg 4/27/09 11:52:24 AM

HT-1P Electrical Information (Standard 230 Volt - Single Phase - 1-1/2HP)



⑪	1	9-H-270	LEGEND PLATE, START, (1)
⑩	1	9-H-262	SWITCH, GREEN START BUTTON, ZB4-BW333 (1)
⑨	1	9-H-269	LEGEND PLATE, STOP (1)
⑧	1	9-H-261	SWITCH, RED STOP, ZB4-BC4 (1)
⑦	1	9-H-347	LEGEND PLATE, TWO MODE, ALT. AND 1 ONLY, (1)
⑥	1	9-H-349	SWITCH, MOUNTING BASE W/LED LIGHT & 1 N.O., ZB4-BWOB31 (1)
⑤	1	9-H-348	SWITCH, 2 POSITION LIGHT SELECTOR, ZB4-BK1233 (1)
④	1	9-H-267	LEGEND PLATE, COOLANT SELECTOR (1)
③	1	9-H-265	SWITCH, MOUNTING BASE W/N.C., ZB4-BZ102 (1)
②	2	9-H-264	SWITCH, MOUNTING BASE W/N.O., ZB4-BZ101 (2)
①	1	9-H-259	SWITCH, 2-POSITION SELECTOR, ZB4-BD2 (1)
FLG	QNTY	PART NO.	USE

D	3-13-06	RMVD PANEL DETAIL - CREATED STD BOX
C	11-30-01	CHANGED MODE FROM 3 POS REMOVED CONT
B	5-31-00	ADDED 230VAC-3PH NOTE UPDATED DRAWING NUMBERS IN NOTES
A	7-1-98	RMV AUX. CONTACT MODIFIED SWITCH SPACING
NO.	DATE	REVISION

LIMITS ON DIMENSIONS UNLESS OTHERWISE SPECIFIED		2-PL DECIMAL ± .01 3-PL DECIMAL ± .005 FRACTIONAL ± 1/64 ANGULAR ± 1/2°	 AAA PRODUCTS INTERNATIONAL 714 Harry Hines Blvd Dallas, TX 75235	
DRAWN: REM	DATE: 9-8-95	APPROVED: HW	DATE: 03-13-06	
SCALE: 1/2	SHEET: 1 OF 1	RELEASED: REM	DATE: 03-13-06	
TITLE: ELECT. BOX - STANDARD HANDY THREAD			PART NO.: 9-H-183	REV: D

D:\AAI Drive\Drawings\THRED\Elect\9-H-183.Dwg 7/13/06 11:35:09 PM