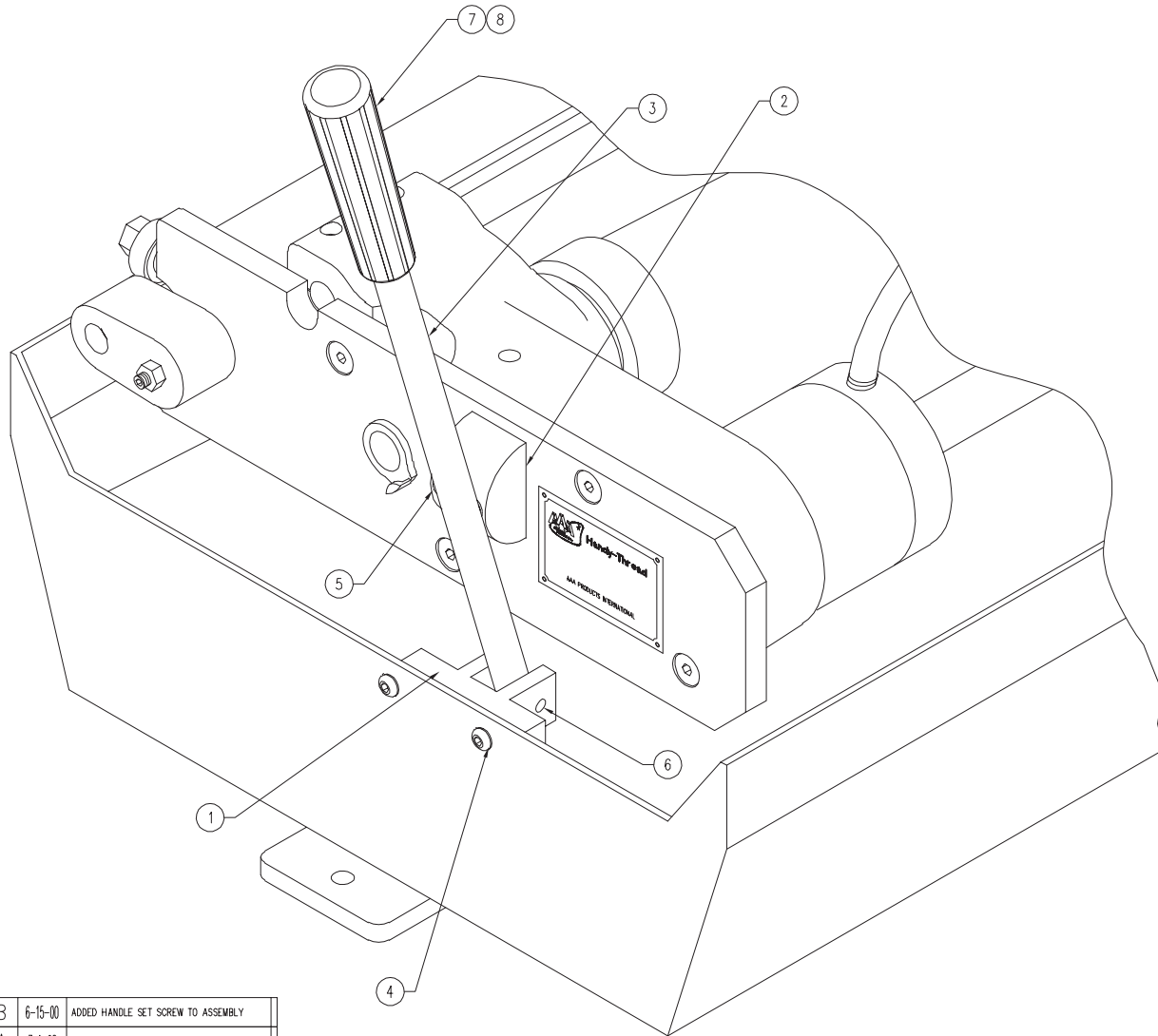



HT-1P Power Assist Handle (Optional)



NOTES
 1. USE FIXTURE H-7 TO DRILL HOLES IN PAN FOR HANDLE MOUNT.

⑧	1	9-H-247	3/8-24 X 1 1/2" SSS CUP POINT FOR HANDY THREAD. (SP)
⑦	1	9-H-331	PLASTIC HANDLE (SEE V-251) (1)
⑥	1	9-H-203	PIN, 1/4" X 1-1/4" ROLL (SP)
⑤	2	9-H-318	SCREW, 1/4-20 X 1 SOCKET HEAD CAP, SEE V-47 (4)
④	2	9-H-47	SCREW, 1/4-20 X 1/2" BUTTON HEAD SOCKET (4)
③	1	9-H-151	HANDLE, HAND ASSIST MFG. # A-3964 (SP)
②	1	9-H-150	PIVOT, HALF ROUND HAND ASSIST MFG. # A-3984 (SP)
①	1	9-H-152	MOUNT - HANDLE, HANDY THREAD (SP)
FLG	QNTY	PART NO.	USE

B	6-15-00	ADDED HANDLE SET SCREW TO ASSEMBLY
A	7-1-98	MODIFIED HANDLE ASSEMBLY
NO.	DATE	REVISION

LIMITS ON DIMENSIONS UNLESS OTHERWISE SPECIFIED	2-PL DECIMAL ± .01 3-PL DECIMAL ± .005 FRACTIONAL ± 1/64 ANGULAR ± 1/2°	 AAA PRODUCTS INTERNATIONAL 7114 Harry Hines Blvd Dallas, TX 75235	
DRAWN: REM	DATE: 9-13-95		APPROVED: HW
SCALE: 1/2	SHEET: 1 OF 1	RELEASED: REM	DATE: 1-30-96
TITLE: HANDLE INSTALLATION HANDY THREAD		PART NO.: 9-H-186	REV: B

C:\DRAWINGS\THREED\A-227-1-186-1.Bug 11/30/01 10:34:02 AM